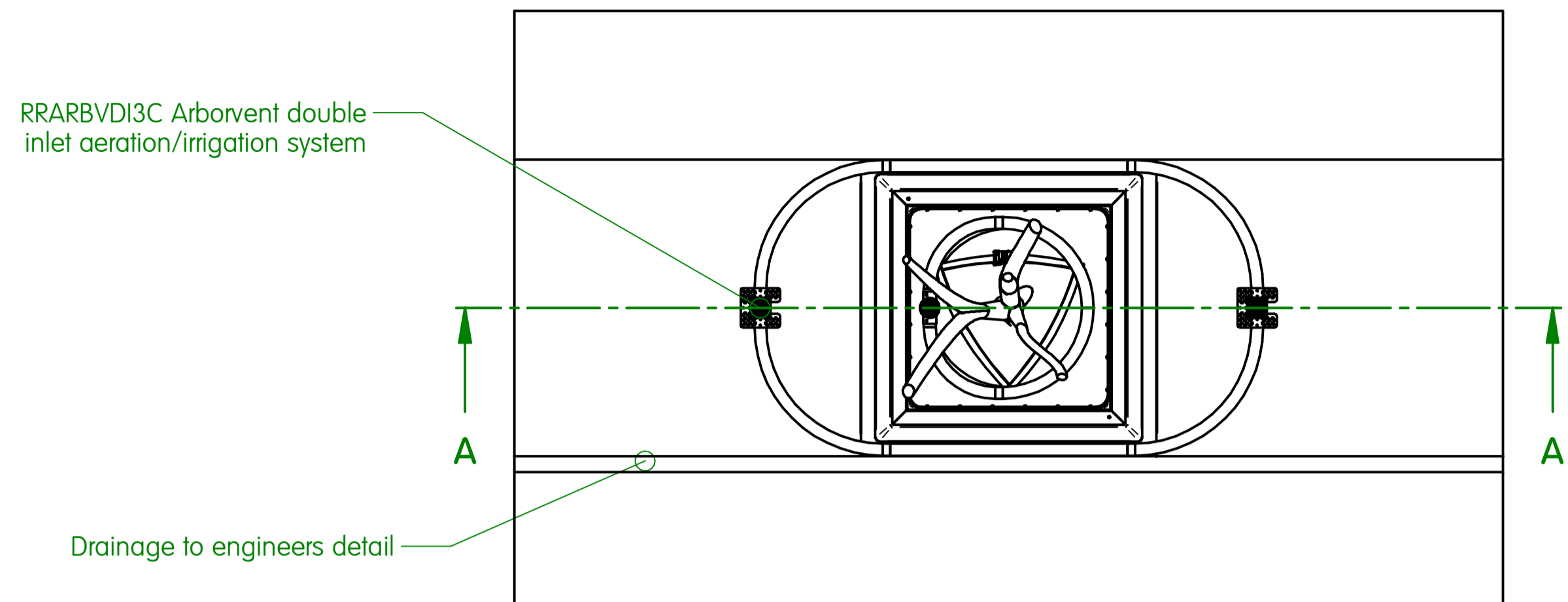


REVISION HISTORY			
REV	DESCRIPTION	DATE	APPROVED

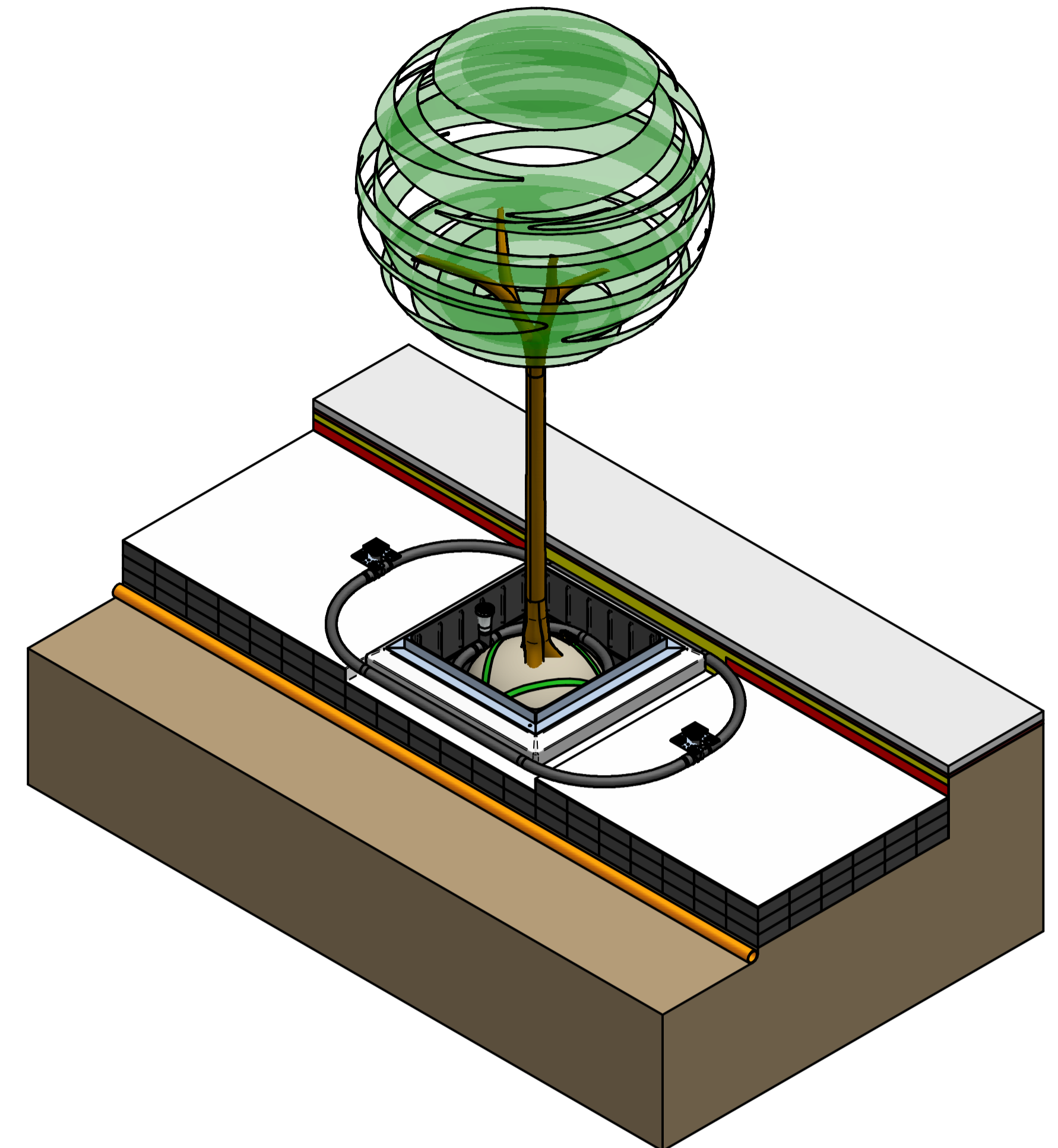


**PLAN VIEW WITH CANOPY HIDDEN**  
1:25

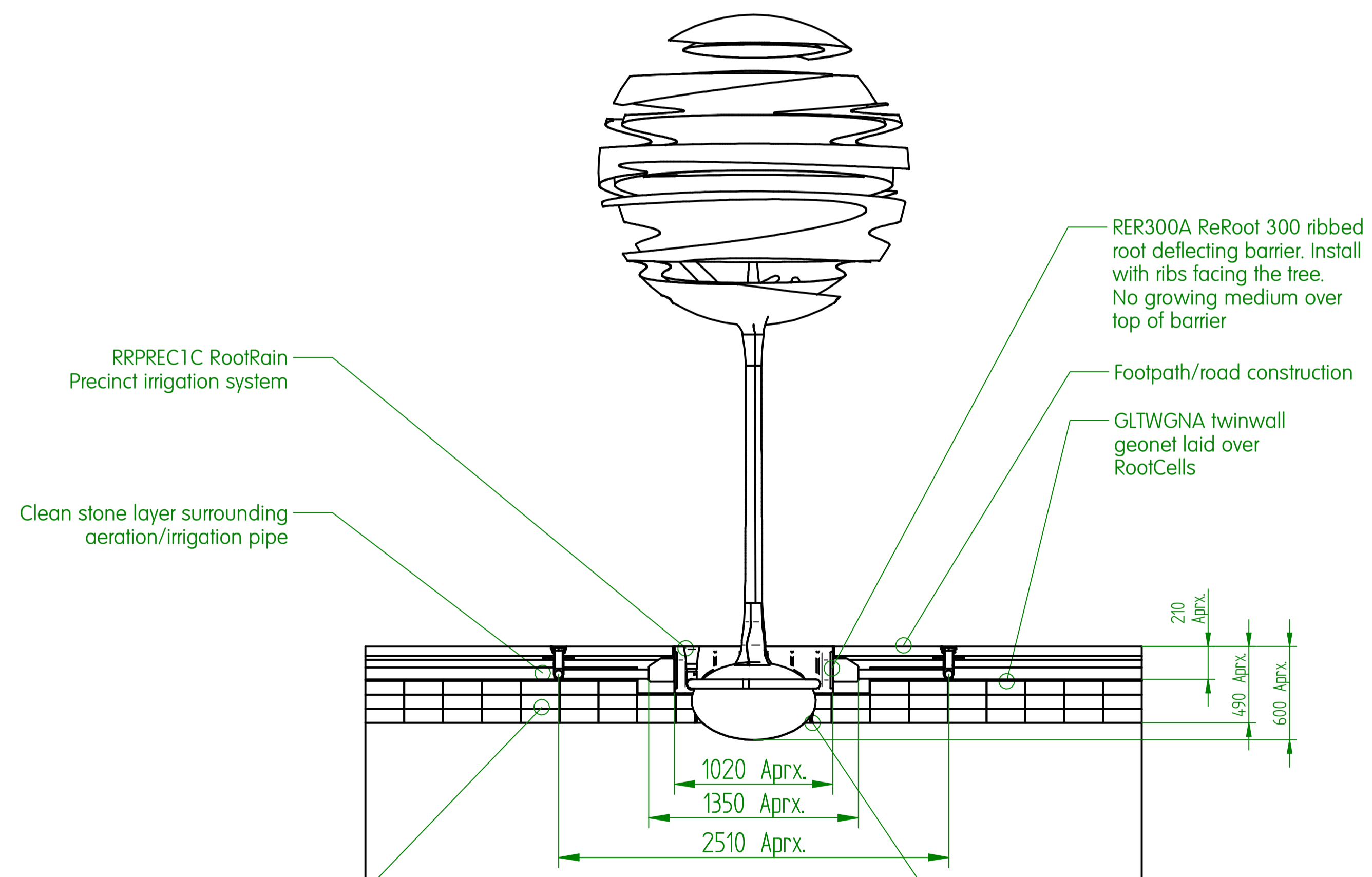
**Package includes:**

- GLRCMA RootCells, 292 No. 250mm x 250mm x 90mm
- RER300A ribbed root deflecting barrier - 5m
- RERJTA ReRoot joint tape - 1 roll
- RRPREC1C RootRain Precinct single inlet aeration/irrigation system with cast inlet
- RRARBVDI3C Arborvent double inlet aeration /irrigation system with cast inlets
- GLTWGNA twinwall geonet -10 Sq. m
- SASLP Arborguy strapped anchor system - Large

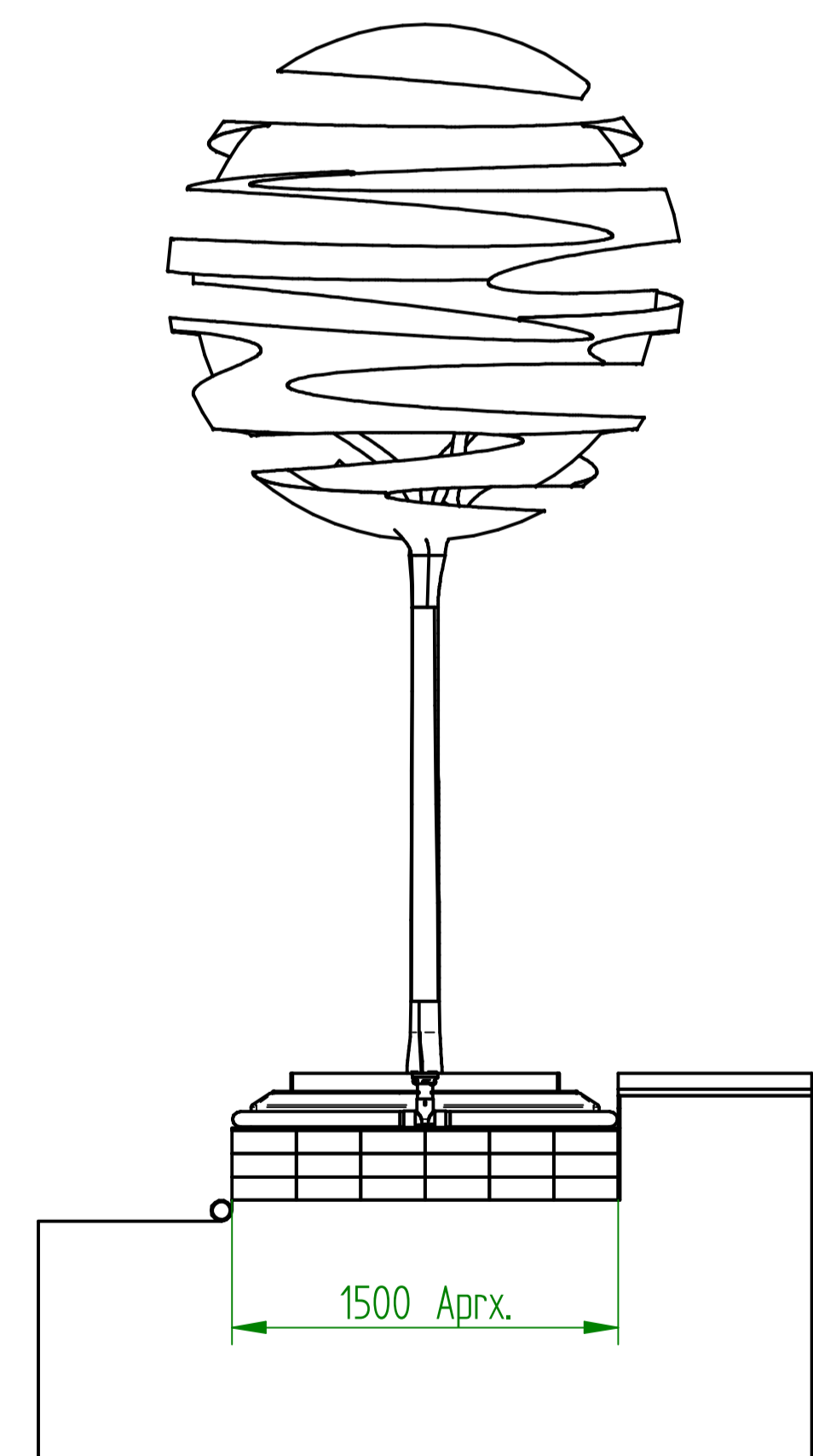
**Note:**  
Special drive rod required for SASLP installation



**ISOMETRIC VIEW WITH CUT-AWAY TO SHOW PRODUCTS**  
1:25



**PARTIAL SECTION A-A**  
1:25



**SIDE VIEW**  
1:25

GLRCMA RootCell structure - 3 modules deep x 6 modules across (4 x 4 x 2 module void below ReRoot) loaded with topsoil - sandy loam to BS3882

SASLP Arborguy strapped anchor root ball guying system c/w ground anchors

NAME	DATE	Greenleaf Urban tree and landscape products	
DRAWN: Adrian White	21/02/2011	3 Hayward Way, Ivyhouse Industrial Estate, Hastings, East Sussex TN35 4PL Tel: +44 (0)1424 717 797 Fax: +44 (0)1424 205 240 E-mail: enquiries@treestown.com Website: www.treestown.com	
CHECKED:		TITLE: TREE PRODUCT PACKAGES	
ENG APPR:		GR1018 Tree pit system installation	
MGR APPR:		SIZE: A1	REV: G
UNLESS OTHERWISE SPECIFIED DIMENSIONS ARE IN MILLIMETERS ANGLES =XX° 2 PL =XXX 3 PL =XXXX		DWG NO: GRE-100529-DFT-021	FILENAME: GR1018.dft
SCALE:	WEIGHT:	SHEET 1 OF 1	