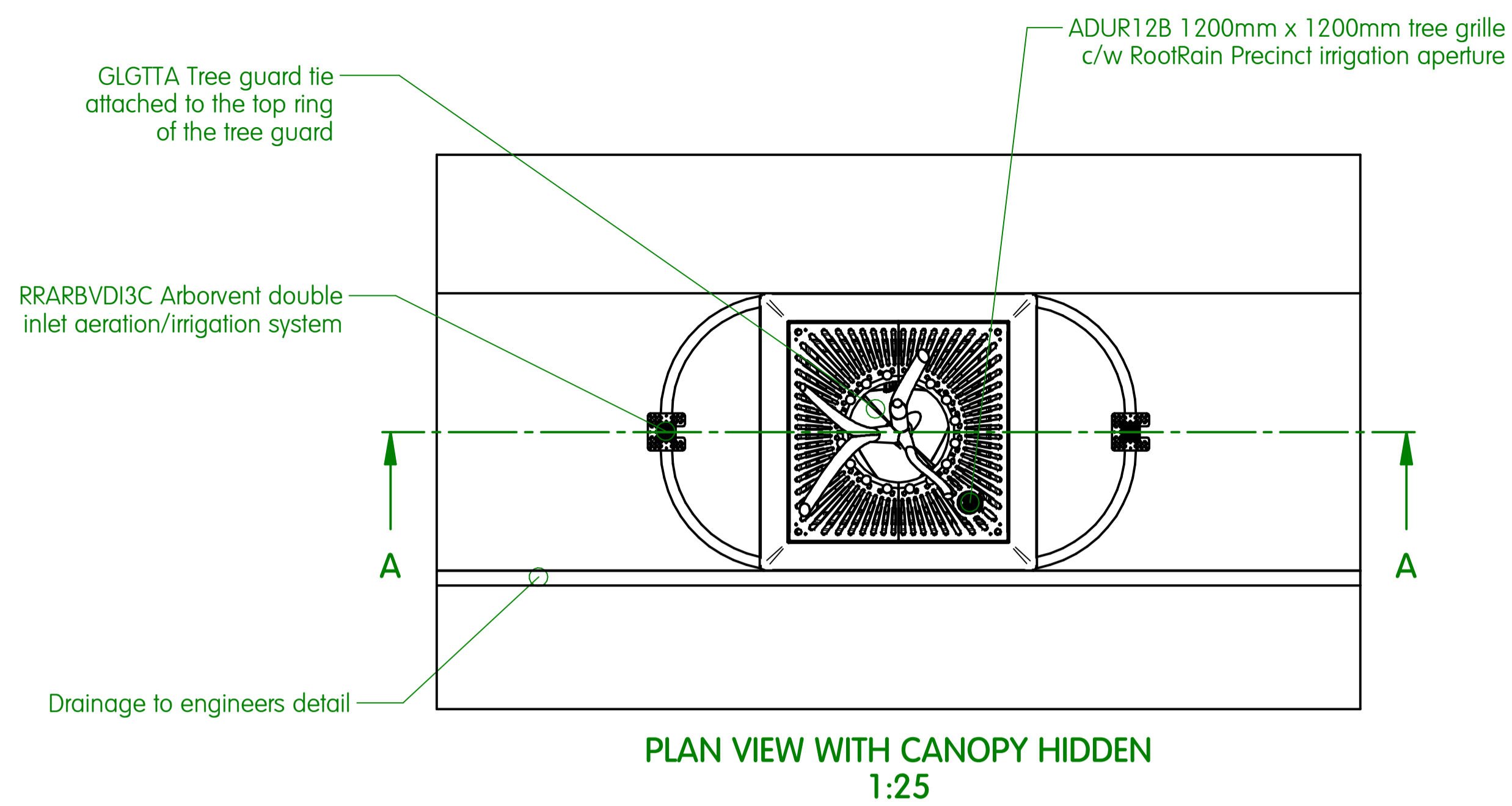


REVISION HISTORY			
REV	DESCRIPTION	DATE	APPROVED

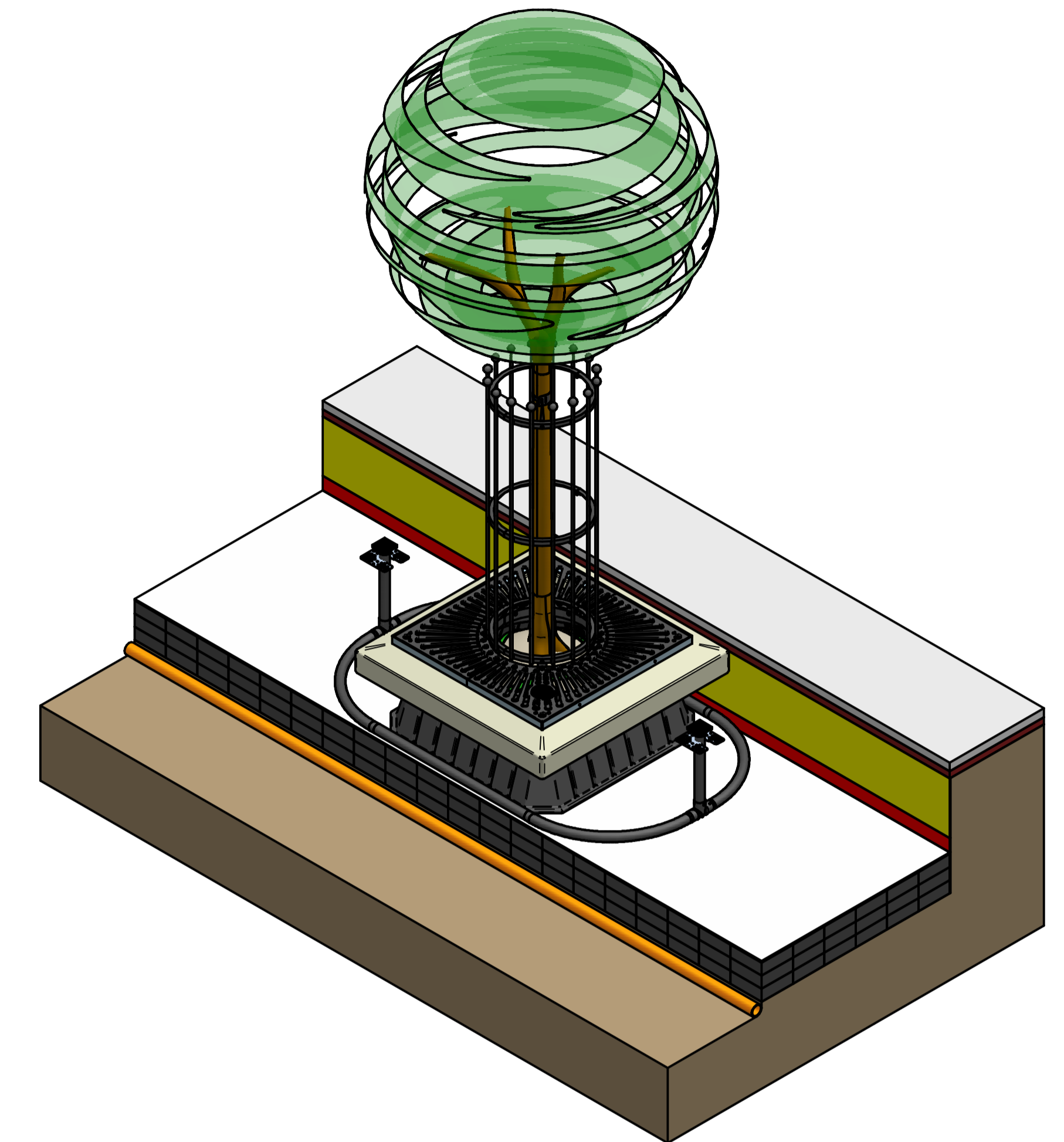


Package includes:

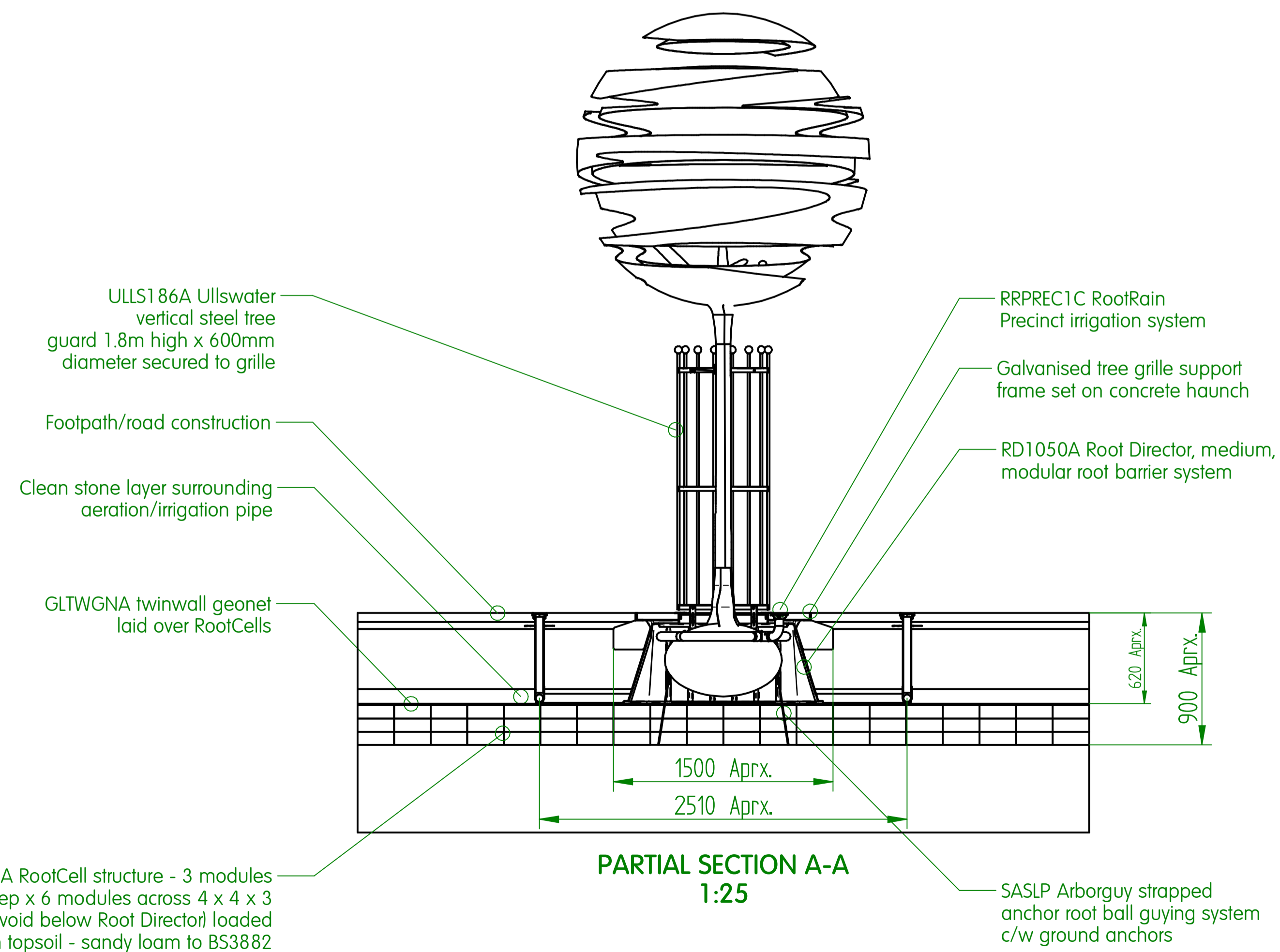
- GLRCMA RootCells, 312 No. 250mm x 250mm x 90mm
- RD1050A Root Director
- RRPREC1C RootRain Precinct single inlet aeration/irrigation system with cast inlet
- RRARBVDI3C Arborvent double inlet aeration/irrigation system with cast inlets
- ADUR12B Adur 1200mm x 1200mm tree grille, finished in black with galvanised steel support frame
- ULLS186A Ullswater vertical steel tree guard with rolled angle-section rings, 16mm round vertical bars topped with 50mm diameter ball finials, finished in black
- GLGTTA Tree guard tie
- GLTWGNA twinwall geonet -10 Sq. m
- SASLP Arborguy strapped anchor system - Large

Note:

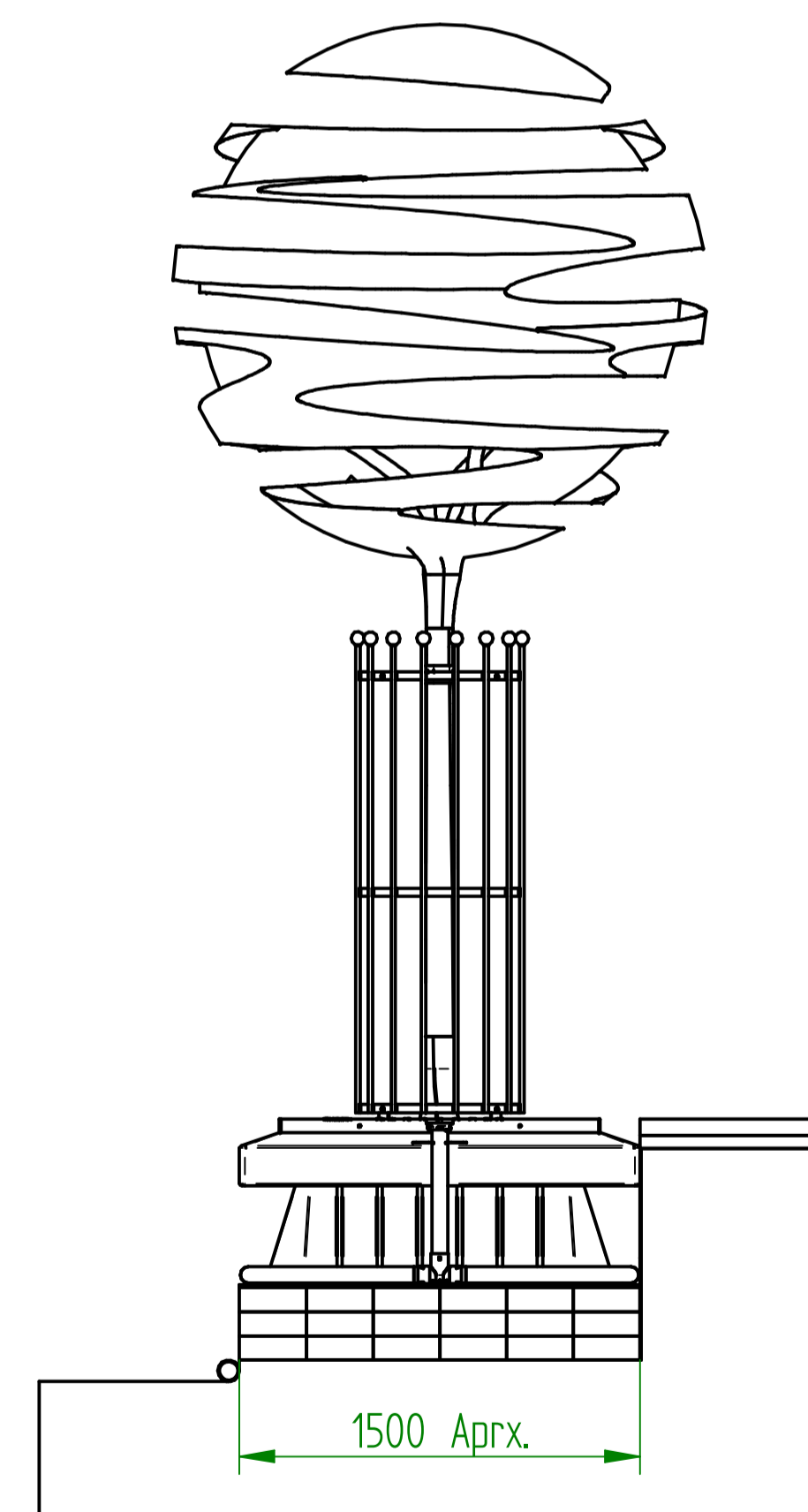
Special drive rod required for SASLP installation



ISOMETRIC VIEW WITH CUT-AWAY TO SHOW PRODUCTS 1:25



GLRCMA RootCell structure - 3 modules deep x 6 modules across 4 x 4 x 3 module void below Root Director/ loaded with topsoil - sandy loam to BS3882



NAME	DATE	Greenleaf Urban tree and landscape products	
DRAWN: Adrian White	22/02/2011	3 Heyward Way, Ivyhouse Industrial Estate, Hastings, East Sussex TN35 4PL Tel: +44 (0)1424 717 797 Fax: +44 (0)1424 205 240 E-mail: enquiries@treestown.com Website: www.treestown.com	
CHECKED:		TITLE: TREE PRODUCT PACKAGES	
ENG APPR:		GR1016 Tree pit system installation	
MGR APPR:		SIZE: A1	REV: H
UNLESS OTHERWISE SPECIFIED DIMENSIONS ARE IN MILLIMETERS ANGLES =XX° 2 PL =XXX 3 PL =XXXX		DWG NO: GRE-100529-DFT-018	FILENAME: GR1016.dft
SCALE:	WEIGHT:	SHEET 1 OF 1	