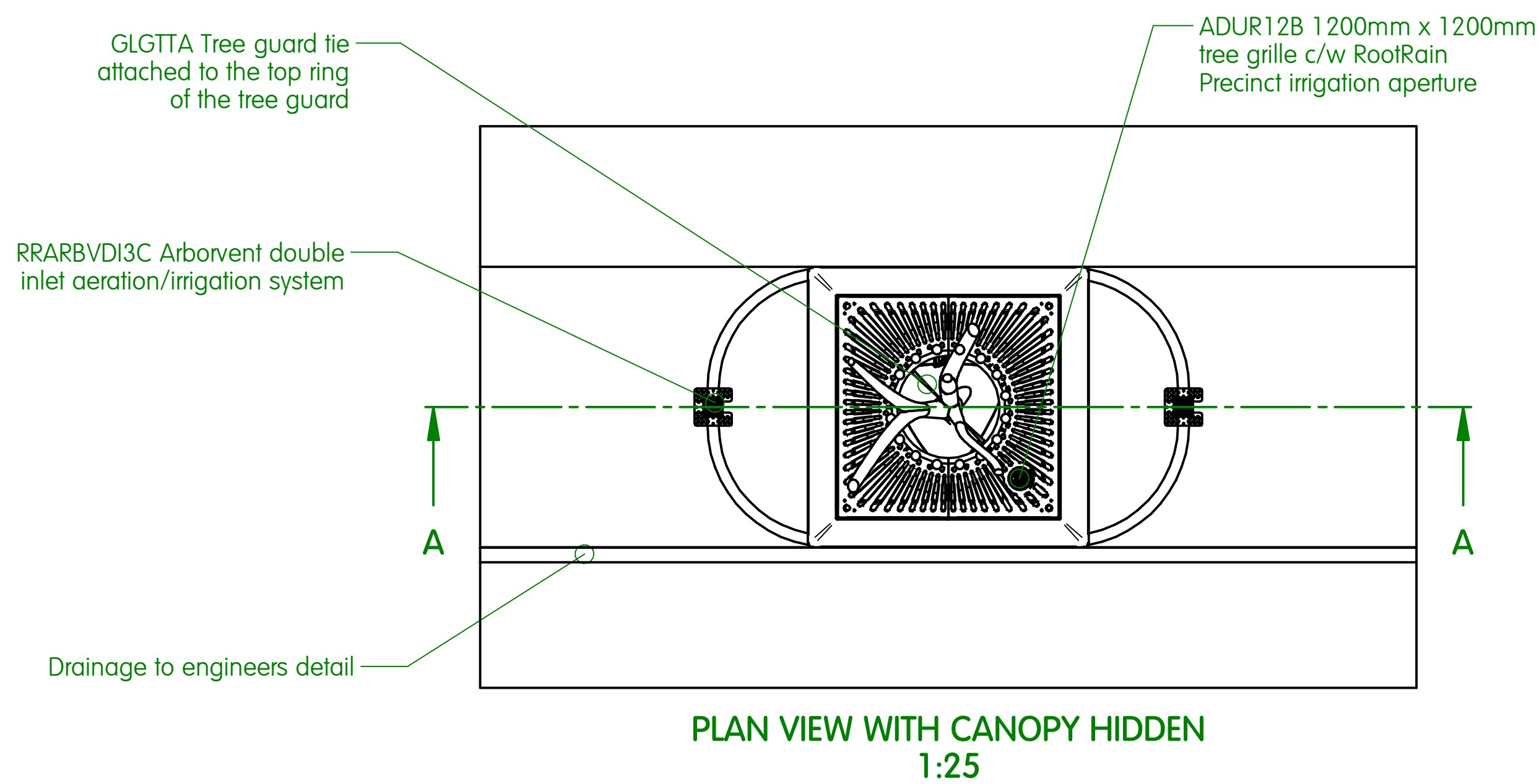


REVISION HISTORY			
REV	DESCRIPTION	DATE	APPROVED



**Package includes:**

GLRCMA RootCells, 208 No. 250mm x 250mm x 90mm

RER300A ribbed root deflecting barrier - 5m

RRJTA joint tape -1 roll

RRPREC1C RootRain Precinct single inlet aeration/irrigation system with cast inlet

RRARBDI3C Arborvent double inlet aeration/irrigation system with cast inlets

ADUR12B Adur 1200mm x 1200mm tree grille, finished in black with galvanised steel support frame

ULLS186A Ullswater vertical steel tree guard with rolled angle-section rings, 16mm round vertical bars topped with 50mm diameter ball finials, finished in black

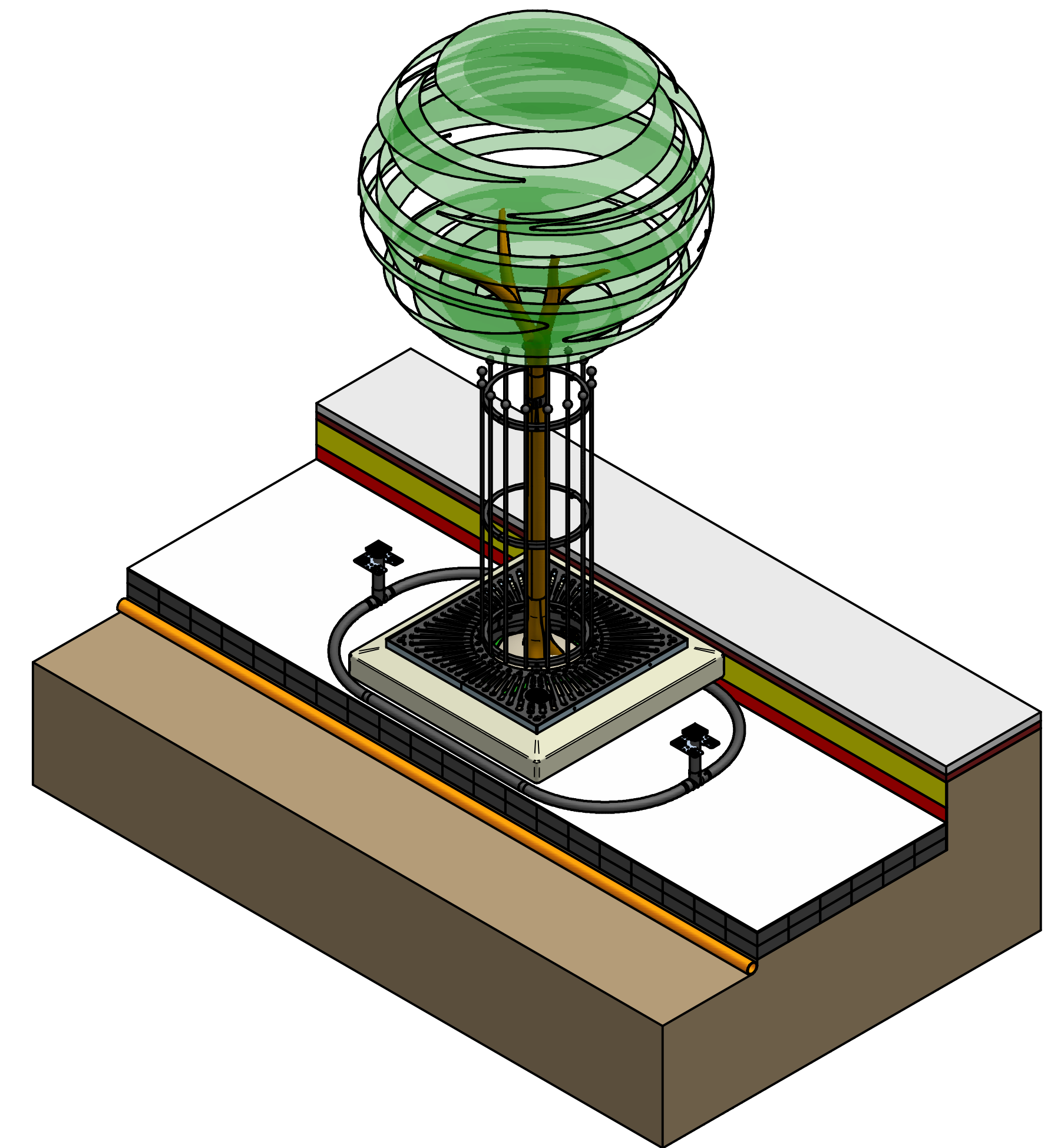
GLGTTA Tree guard tie

GLTWGNA twinwall geonet -10 Sq. m

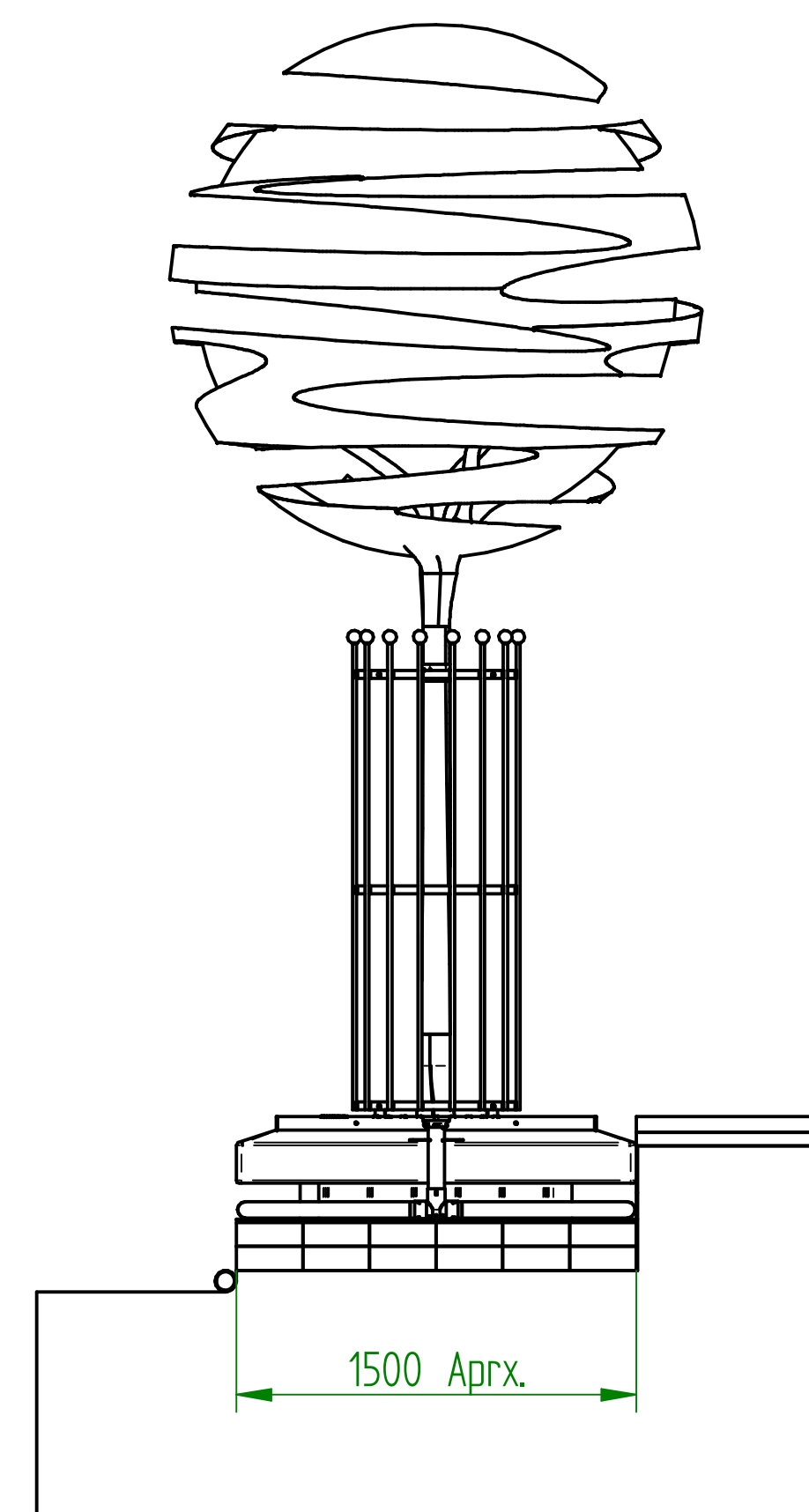
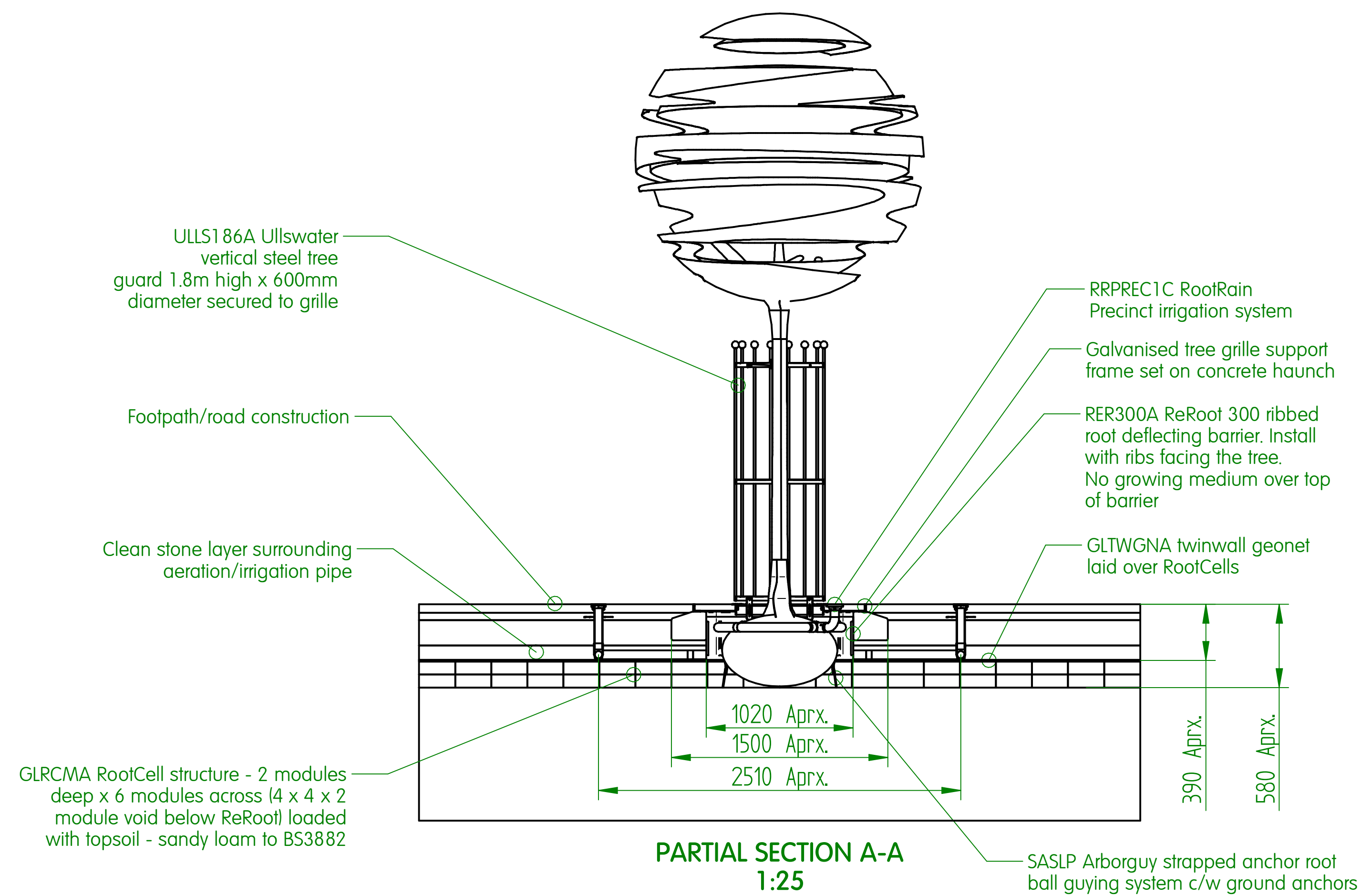
SASLP Arborguy strapped anchor system - Large

**Note:**

Special drive rod required for SASLP installation



**ISOMETRIC VIEW WITH CUT-AWAY TO SHOW PRODUCTS**  
1:25



NAME	DATE	Greenleaf Urban tree and landscape products	
DRAWN: Adrian White	22/02/2011	3 Heyward Way, Ivyhouse Industrial Estate, Hastings, East Sussex TN35 4PL Tel: +44 (0)1424 717 797 Fax: +44 (0)1424 205 240 E-mail: enquiries@treeintowns.com Website: www.treeintowns.com	
CHECKED:		TITLE: TREE PRODUCT PACKAGES	
ENG APPR:		GR1014 Tree pit system installation	
MGR APPR:		SIZE: A1	REV: 1
UNLESS OTHERWISE SPECIFIED DIMENSIONS ARE IN MILLIMETERS ANGLES =X°		FILENAME: GR1014.dft	
2 PL ±XXX 3 PL ±XXXX	SCALE:	WEIGHT:	SHEET 1 OF 1