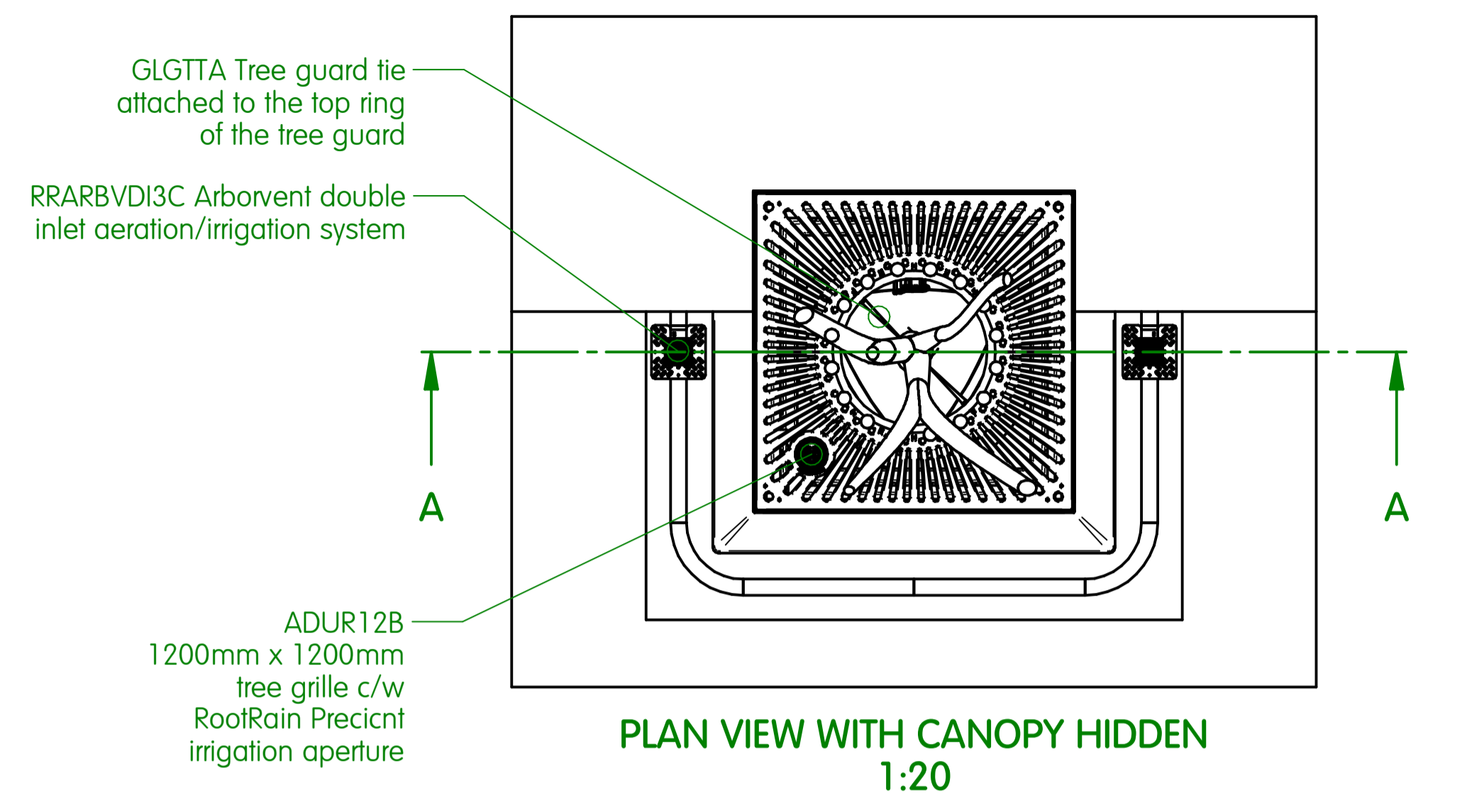


REVISION HISTORY			
REV	DESCRIPTION	DATE	APPROVED

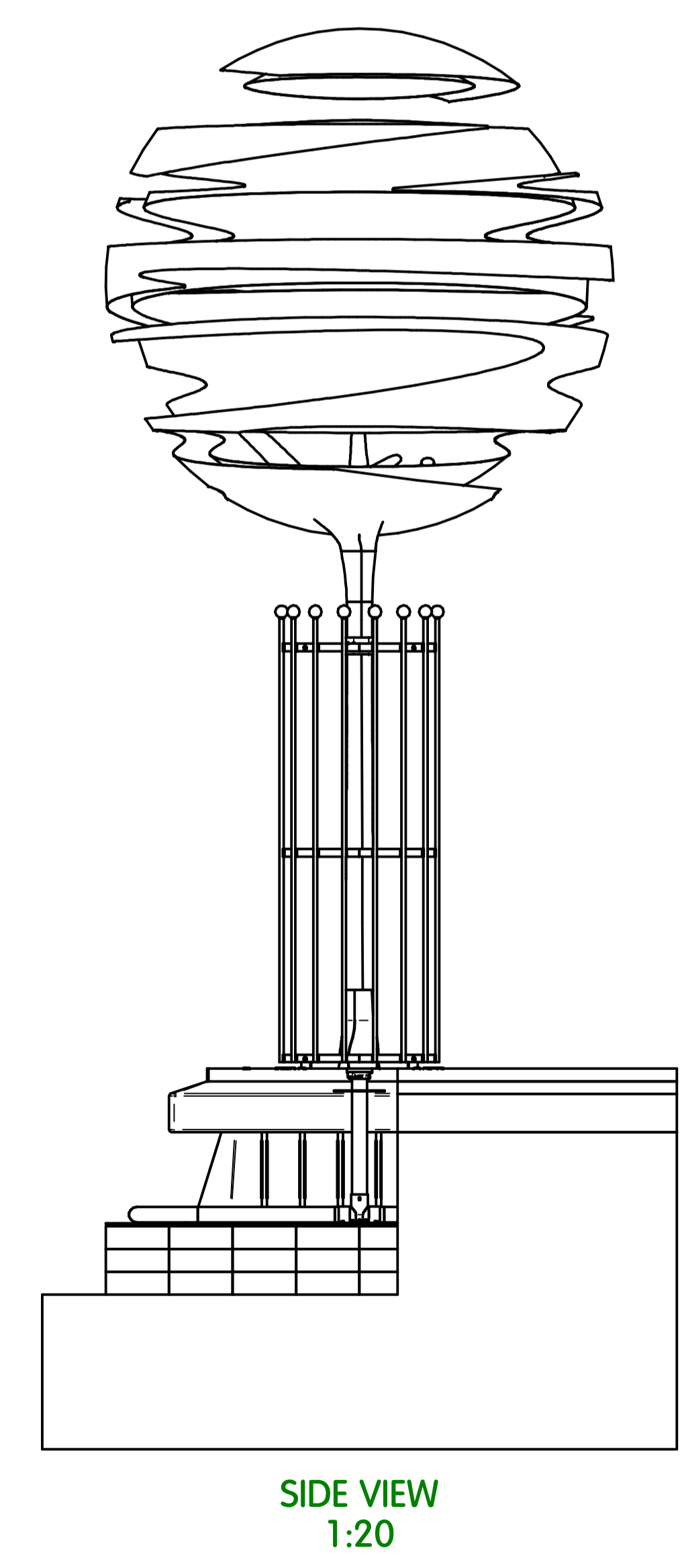
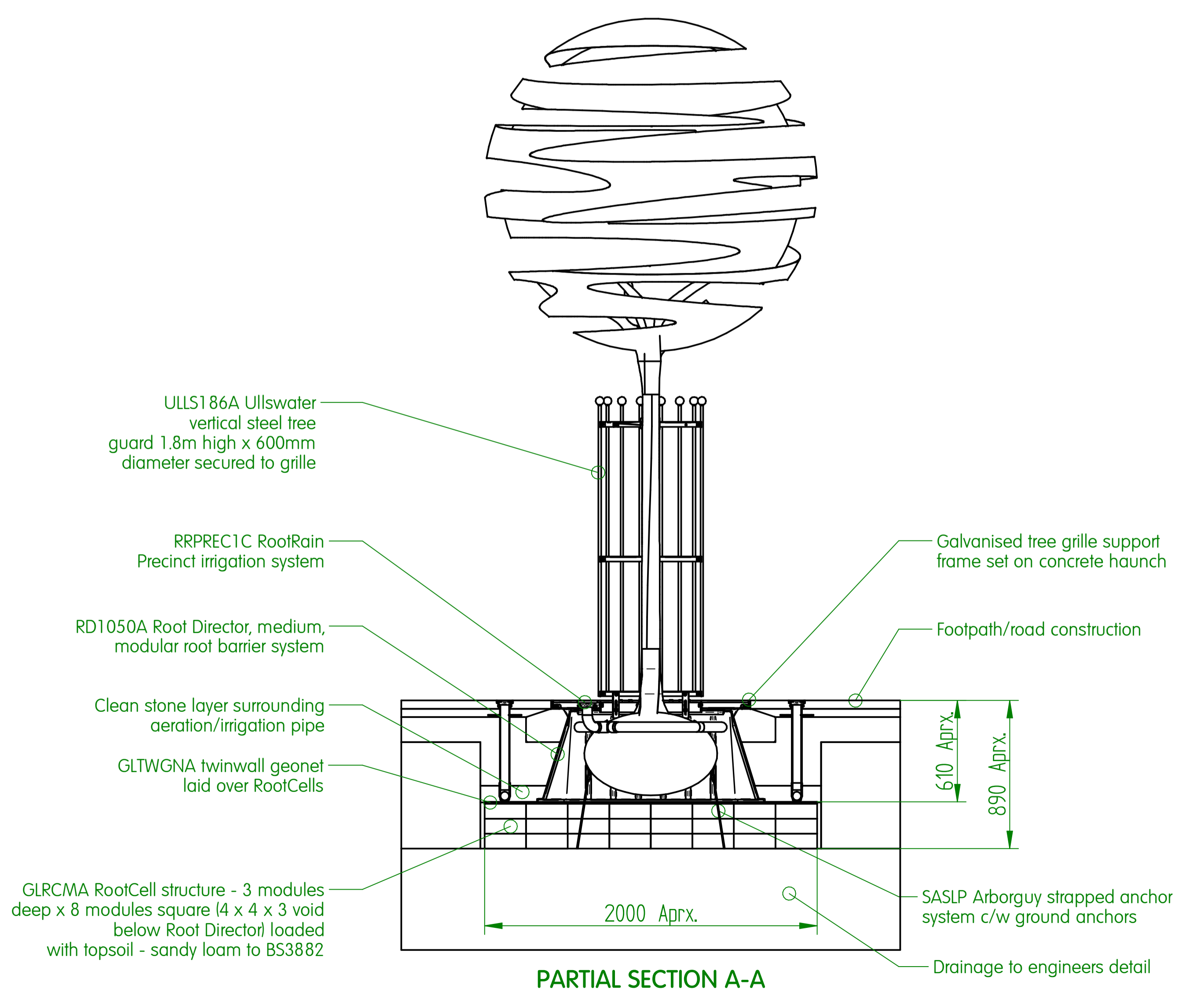
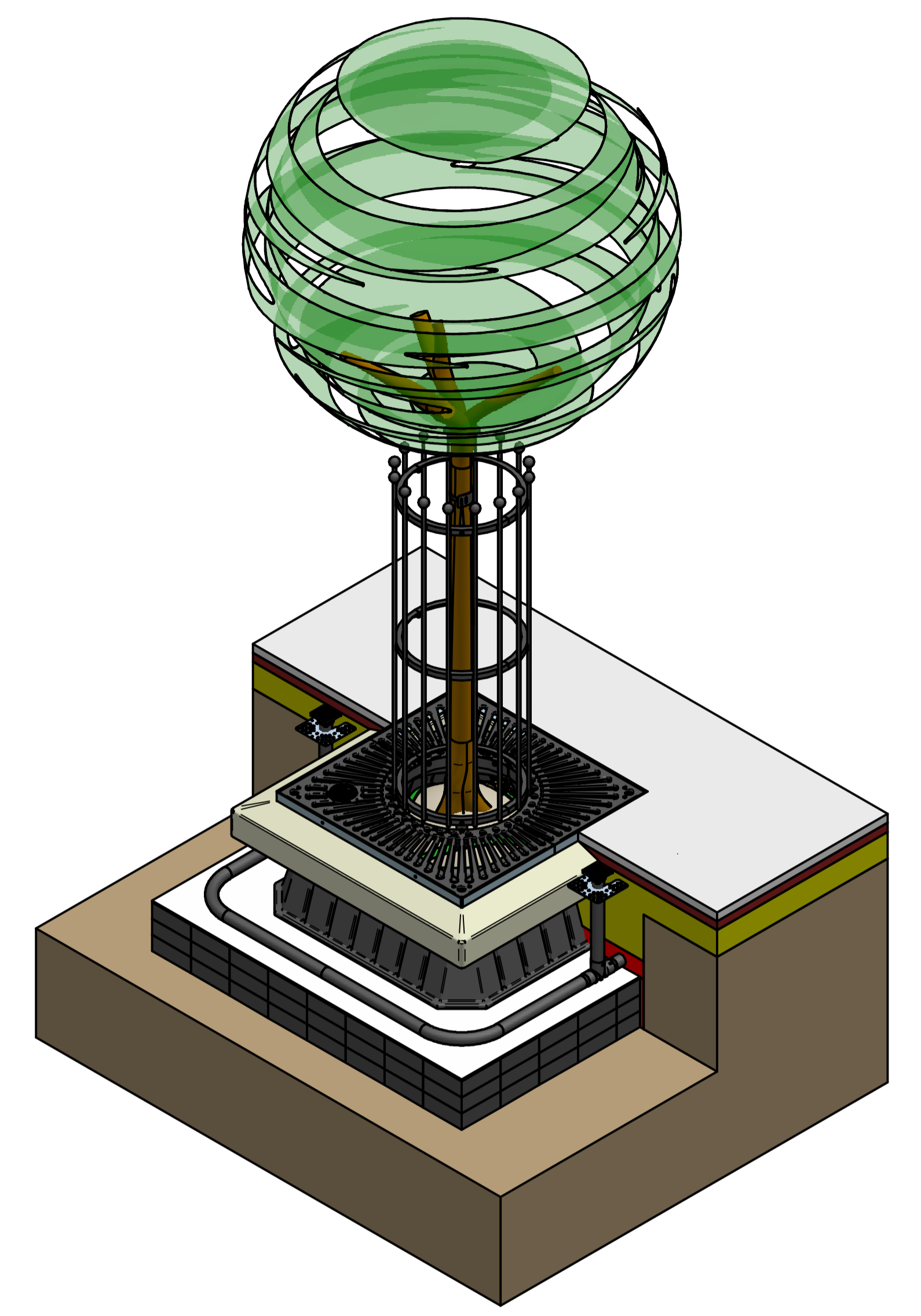


Package includes:

- RRPREC1C RootRain Precinct single inlet aeration/irrigation system with cast inlet
- RRARBVDI3C Arborvent double inlet aeration/irrigation system with cast inlets
- GLRCMA RootCells, 144 No. 250mm x 250mm x 90mm
- GLTWGNA twinwall geonet - 4 Sq. m
- ADUR12B Adur 1200mm x 1200mm tree grille, finished in black with galvanised steel support frame
- ULLS186A Ullswater vertical steel tree guard, with rolled angle-section rings, 16mm round vertical bars topped with 50mm diameter ball finials, finished in black
- RD1050A Root Director
- GLGTTA Tree guard tie
- SASLP Arboguy strapped anchor system - Large

Note:

Special drive rod required for SASLP installation



DRAWN	NAME	DATE	Greenleaf Urban tree and landscape products 3 Heywood Way, Ivyhouse Industrial Estate, Hastings, East Sussex TN35 4PL Tel: +44 (0)1424 717 797 Fax: +44 (0)1424 205 240 E-mail: enquiries@treeintowns.com Website: www.treeintowns.com
CHECKED	Adrian White	22/02/2011	
ENG APPR			
MGR APPR			
UNLESS OTHERWISE SPECIFIED DIMENSIONS ARE IN MILLIMETERS ANGLES =XX° 2 PL =XXX 3 PL =XXXX			TITLE TREE PRODUCT PACKAGES GR1013 Tree pit system installation
SIZE	A1	DWG NO	REV
FILENAME:	GR1013.dft	GRE-100529-DFT-013	I
SCALE:		WEIGHT:	SHEET 1 OF 1