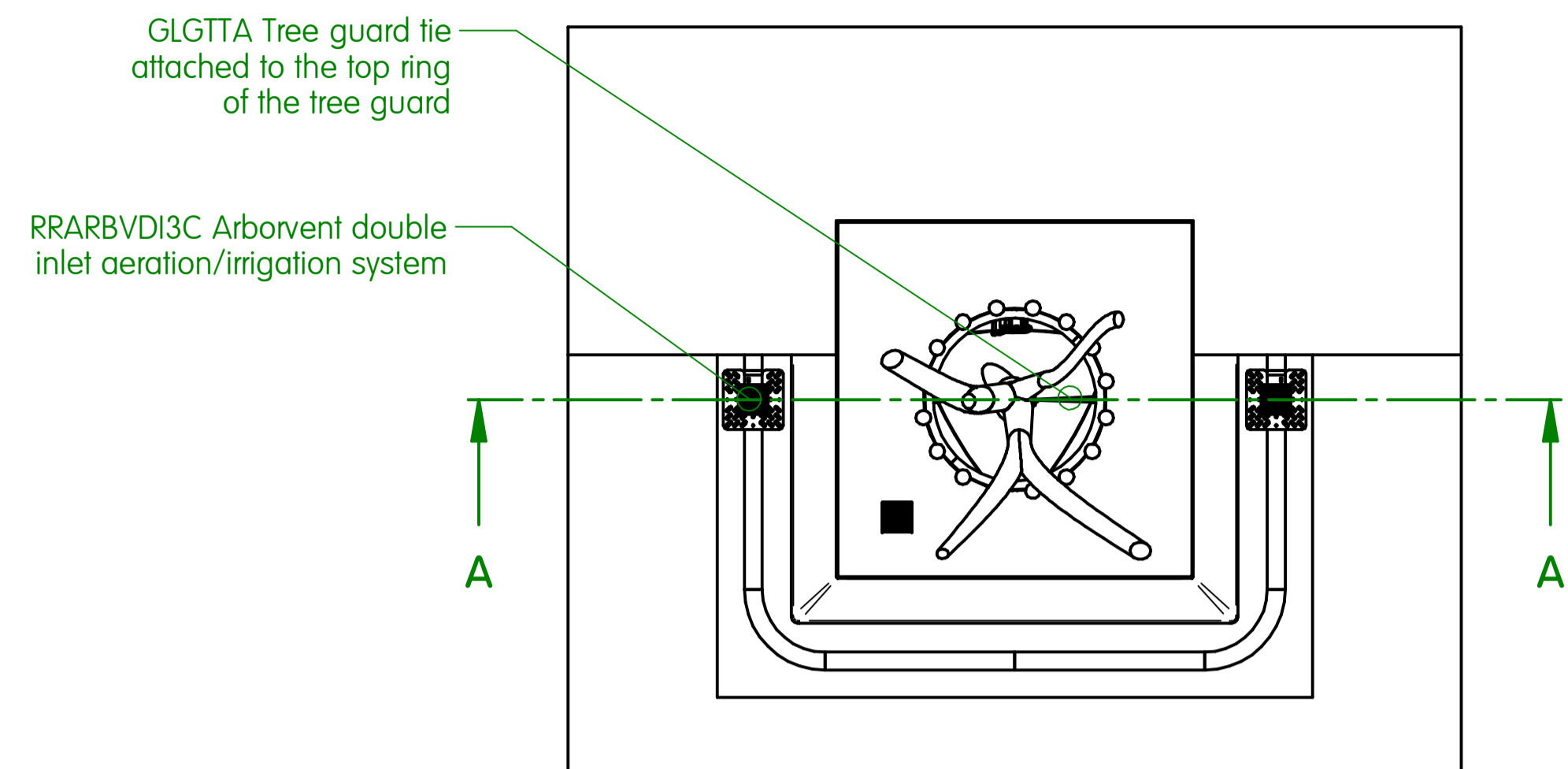


REVISION HISTORY			
REV	DESCRIPTION	DATE	APPROVED



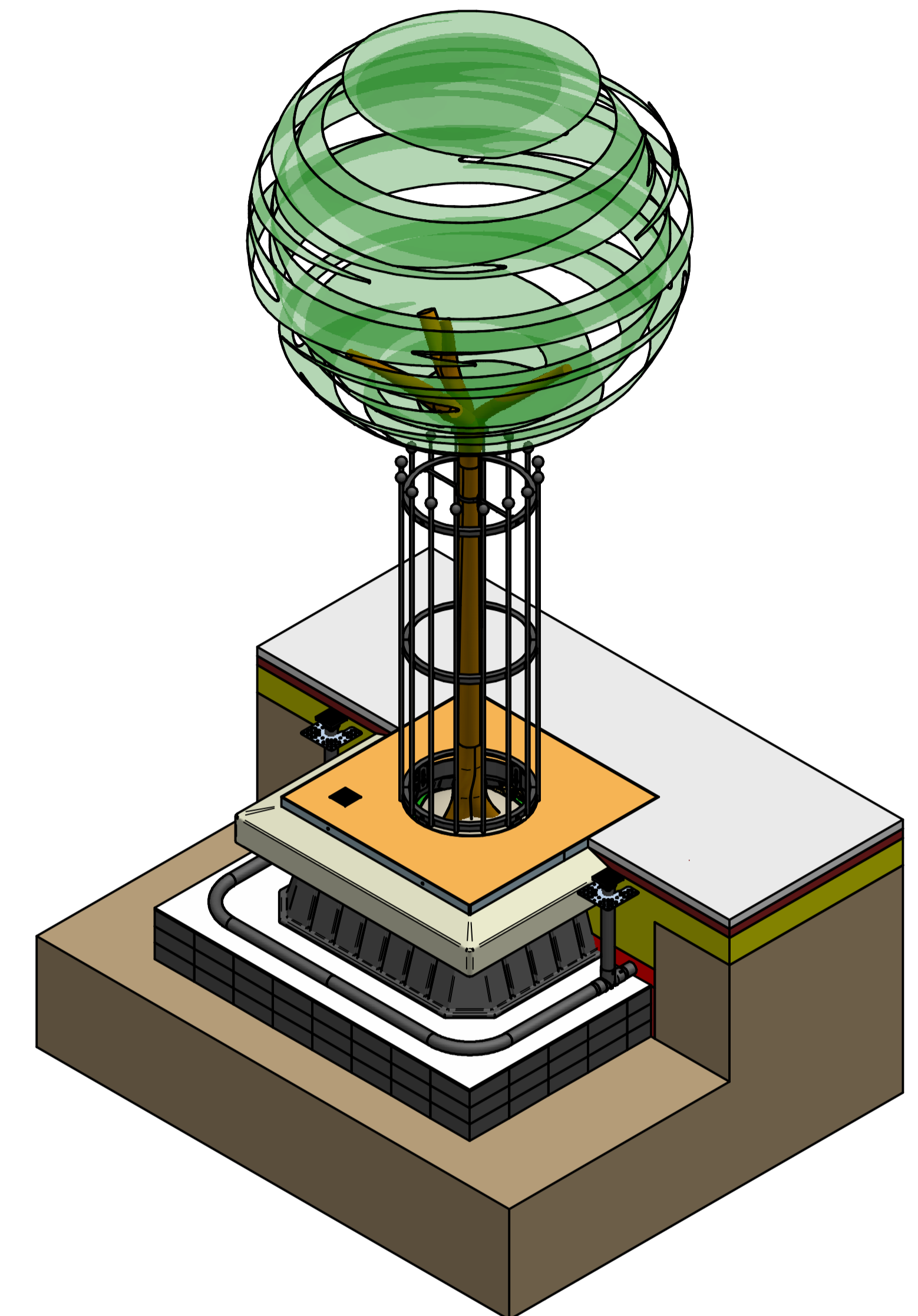
PLAN VIEW WITH CANOPY HIDDEN
1:20

Package includes:

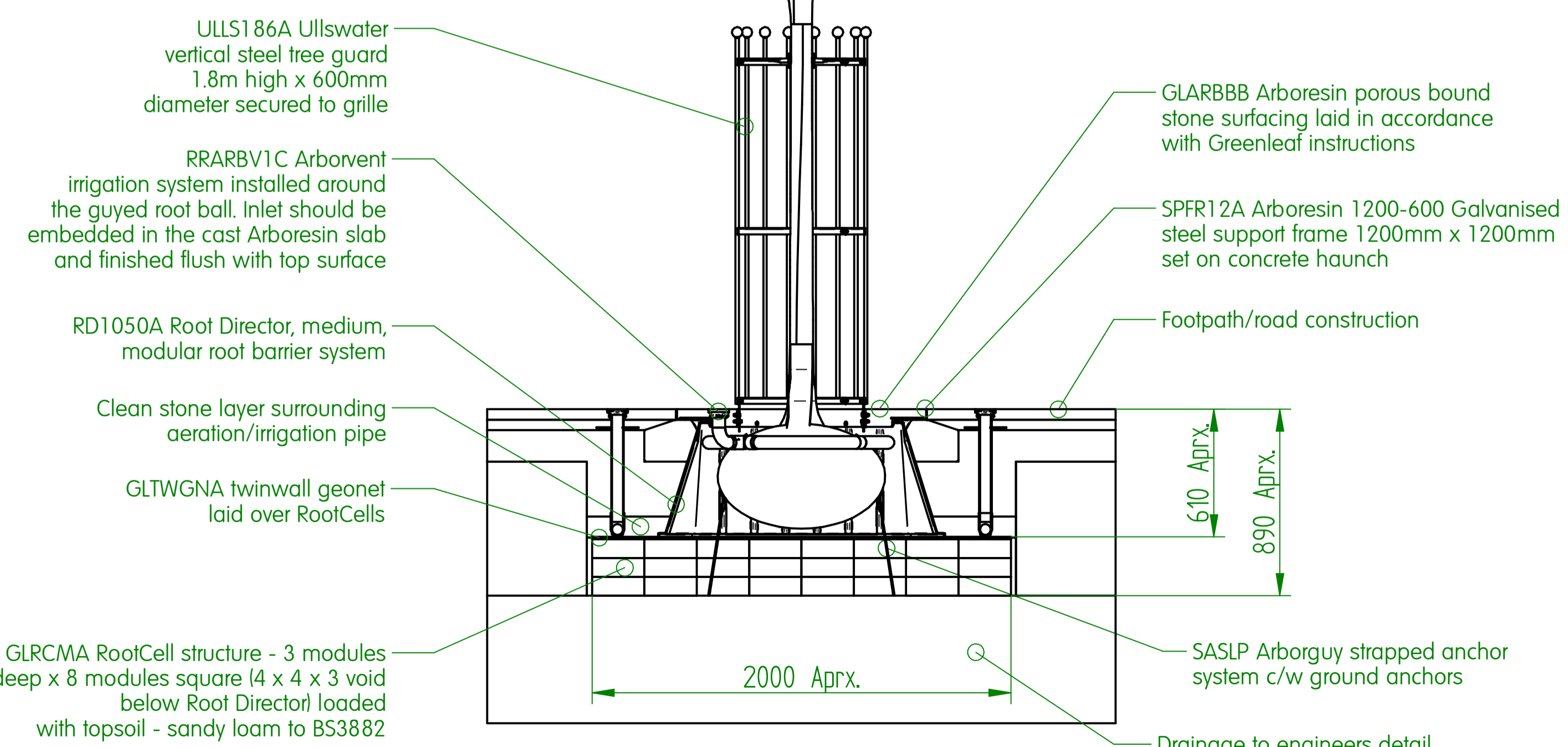
- RRARBV1C Arborvent single inlet aeration/irrigation system with cast inlet
- RRARBVDI3C Arborvent double inlet aeration/irrigation system with cast inlets
- GLRCMA RootCells, 144 No. 250mm x 250mm x 90mm
- GLTWGNA twinwall geonet - 4 Sq. m
- GLARBBB Arboresin porous bound stone surfacing, 1200mm x 1200mm x 50mm thick - 6 units
- SPFR12A Arboresin galvanised steel support frame 1200mm x 1200mm, in two halves, with inner ring & additional inner ring support sections
- ULLS186A Ullswater vertical steel tree guard, with rolled angle-section rings, 16mm round vertical bars topped with 50mm diameter ball finials, finished in black
- RD1050A Root Director
- GLGTTA Tree guard tie
- SASLP Arborguy strapped anchor system - Large

Note:

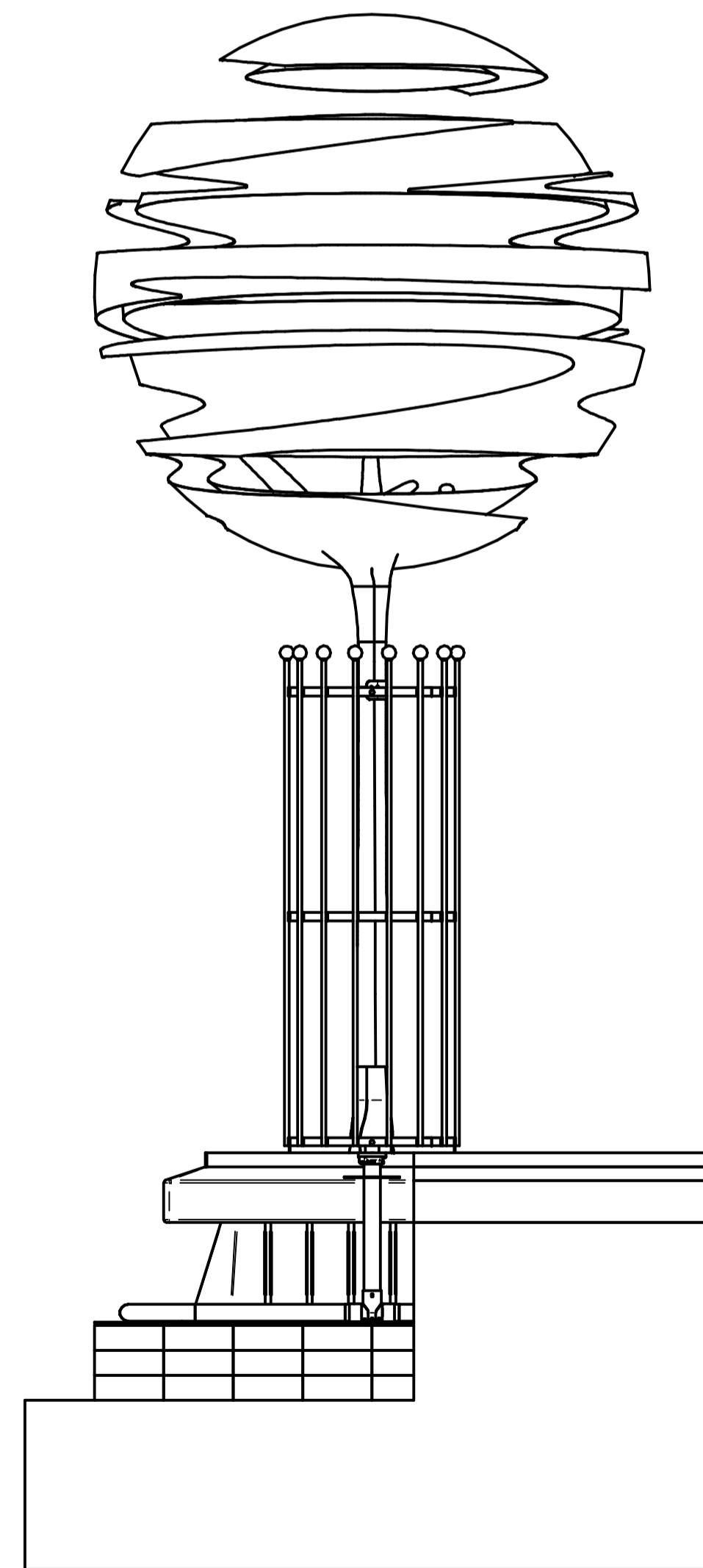
Special drive rod required for SASLP installation



ISOMETRIC VIEW WITH CUT-AWAY TO SHOW PRODUCTS
1:20



PARTIAL SECTION A-A



SIDE VIEW
1:20

NAME	DATE	Greenleaf Urban tree and landscape products	
DRAWN: Adrian White	20/02/2011	3 Heyward Way, Ivyhouse Industrial Estate, Hastings, East Sussex TN35 4PL Tel: +44 (0)1424 717 797 Fax: +44 (0)1424 205 240 E-mail: enquiries@treeintowns.com Website: www.treeintowns.com	
CHECKED		TITLE: TREE PRODUCT PACKAGES	
ENG APPR		GR1012 Tree pit system installation	
MGR APPR		SIZE: A1 DWG NO: GRE-100529-DFT-012	REV: G
UNLESS OTHERWISE SPECIFIED DIMENSIONS ARE IN MILLIMETERS ANGLES =XX° 2 PL =XXX 3 PL =XXXX		FILENAME: GR1012.dft	SCALE: SHEET 1 OF 1