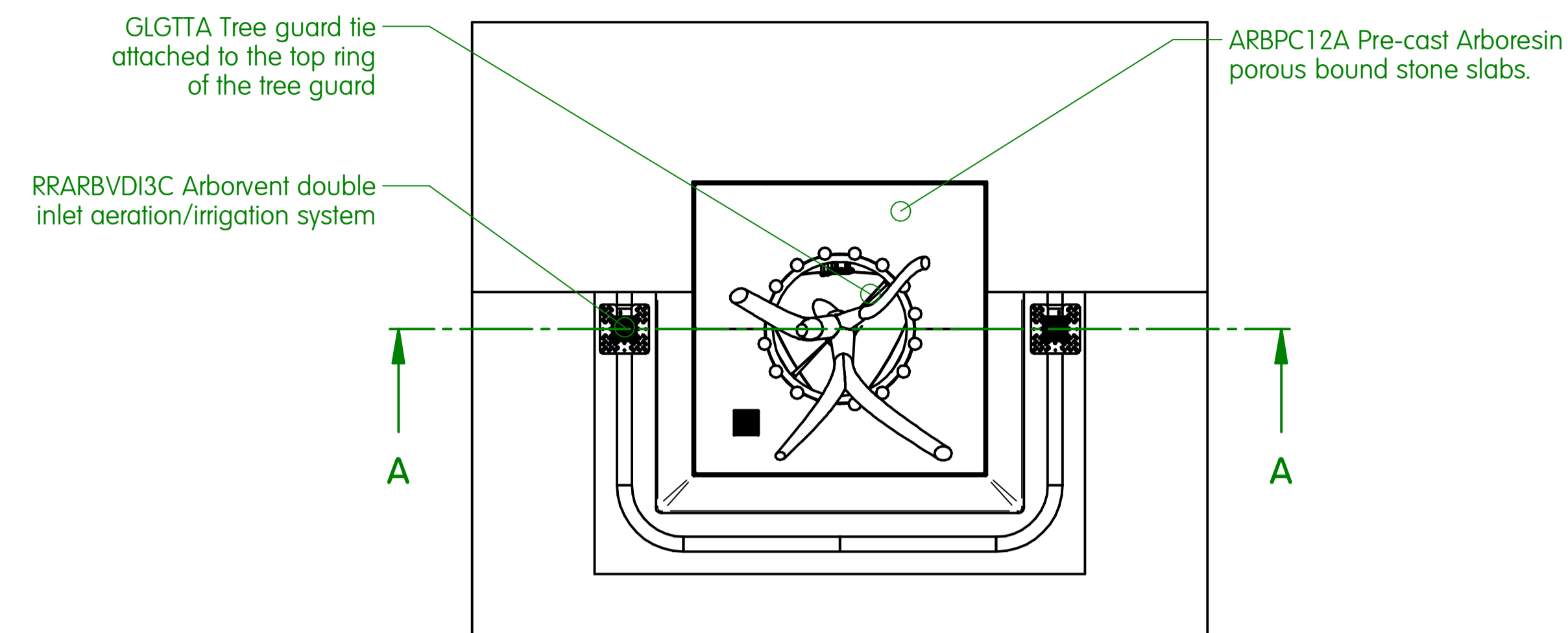


| REVISION HISTORY | | | |
|------------------|-------------|------|----------|
| REV | DESCRIPTION | DATE | APPROVED |
| | | | |



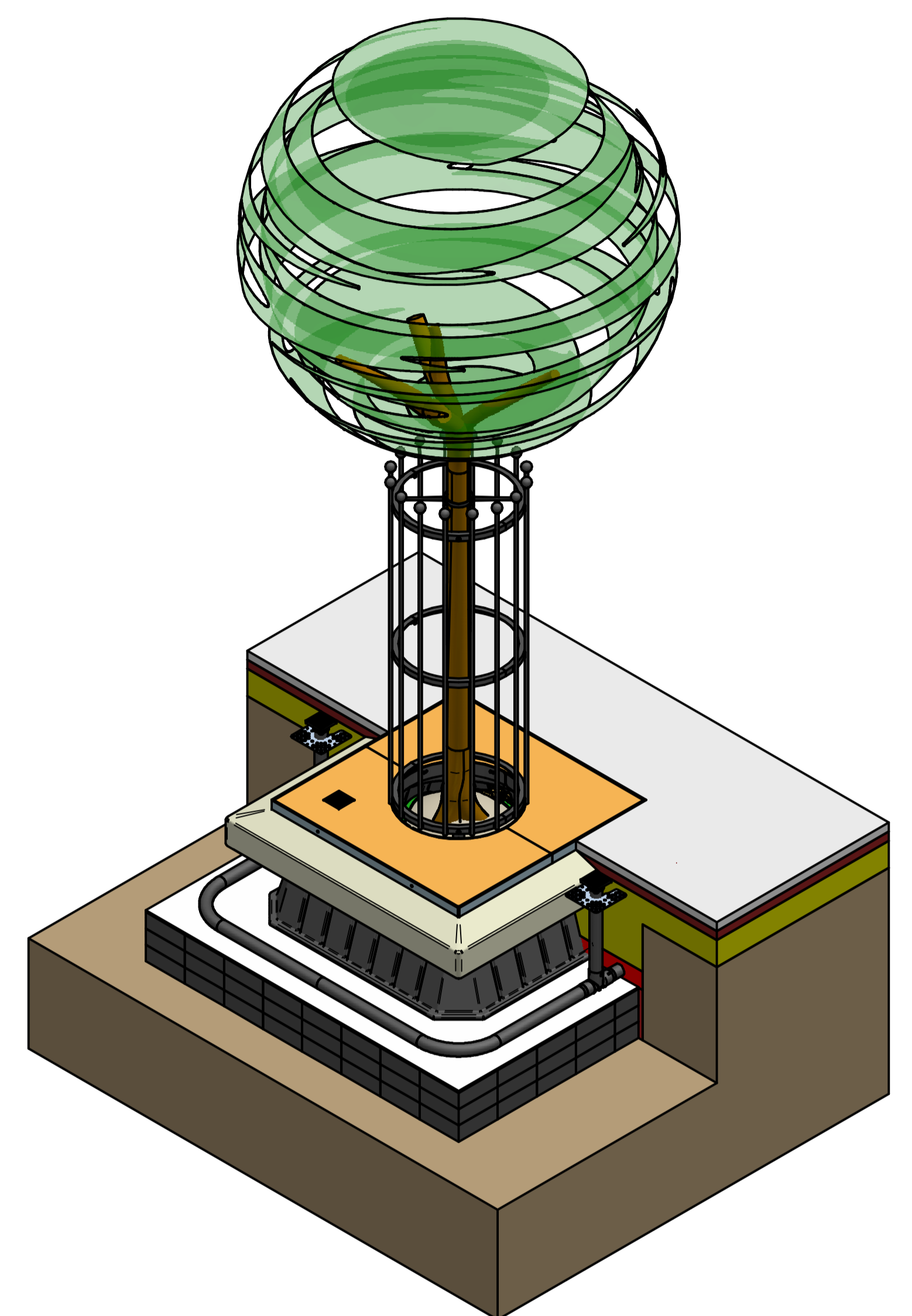
**PLAN VIEW WITH CANOPY HIDDEN
1:20**

Package includes:

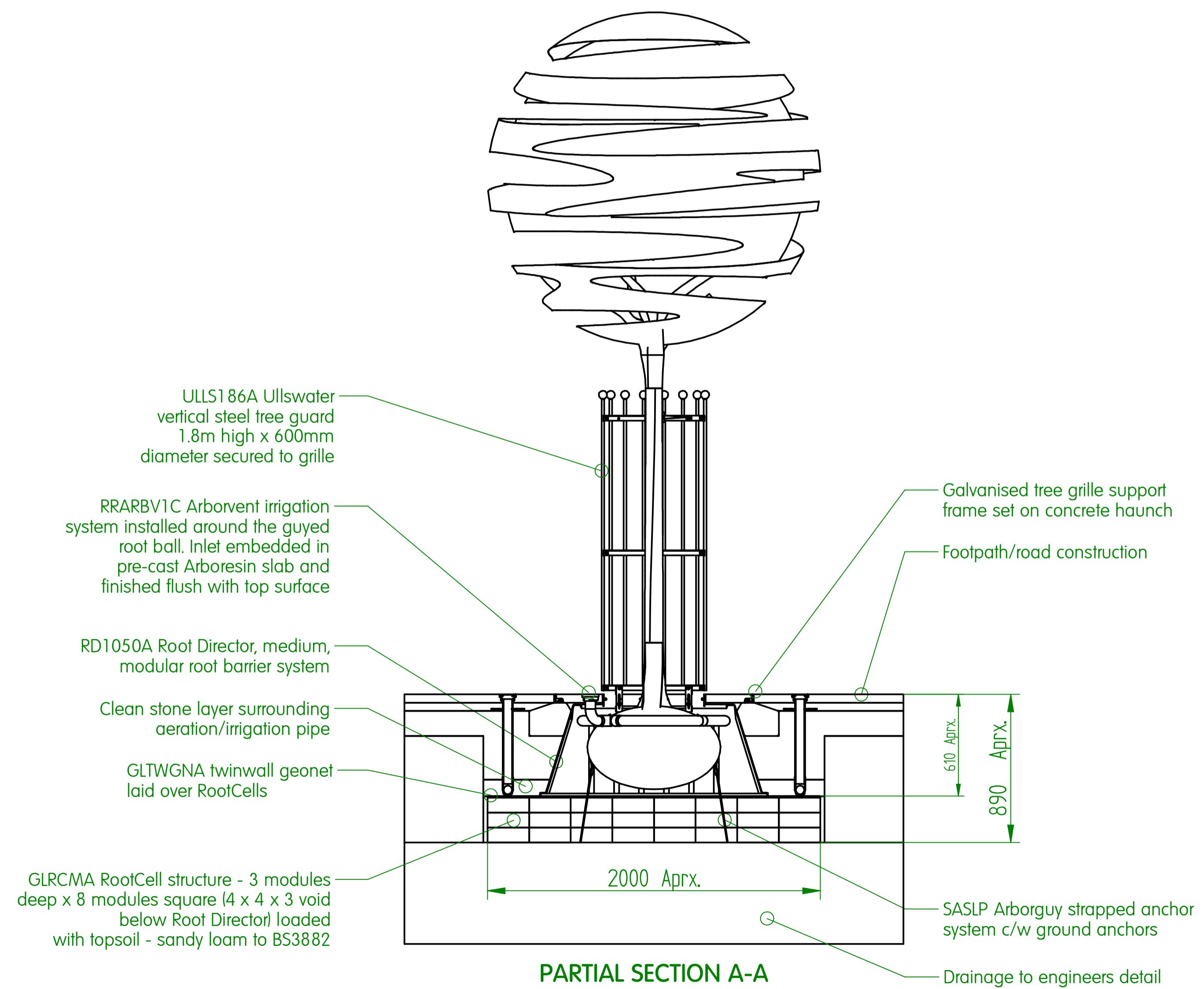
- RRARBV1C Arborvent single inlet aeration/irrigation system with cast inlet
- RRARBVDI3C Arborvent double inlet aeration/irrigation system with cast inlets
- GLRCMA RootCells, 144 No. 250mm x 250mm x 90mm
- GLTWGNA twinwall geonet - 4 Sq. m
- ARBPC12A Pre-cast Arboresin porous bound stone tree grille, 1200mm x 1200mm x 50mm thick, in two halves, with galvanised steel support frame
- ULLS186A Ullswater vertical steel tree guard with rolled angle-section rings, 16mm round vertical bars topped with 50mm diameter ball finials, finished in black
- RD1050A Root Director
- GLGTTA Tree guard tie
- SASLP Arborguy strapped anchor system - Large

Note:

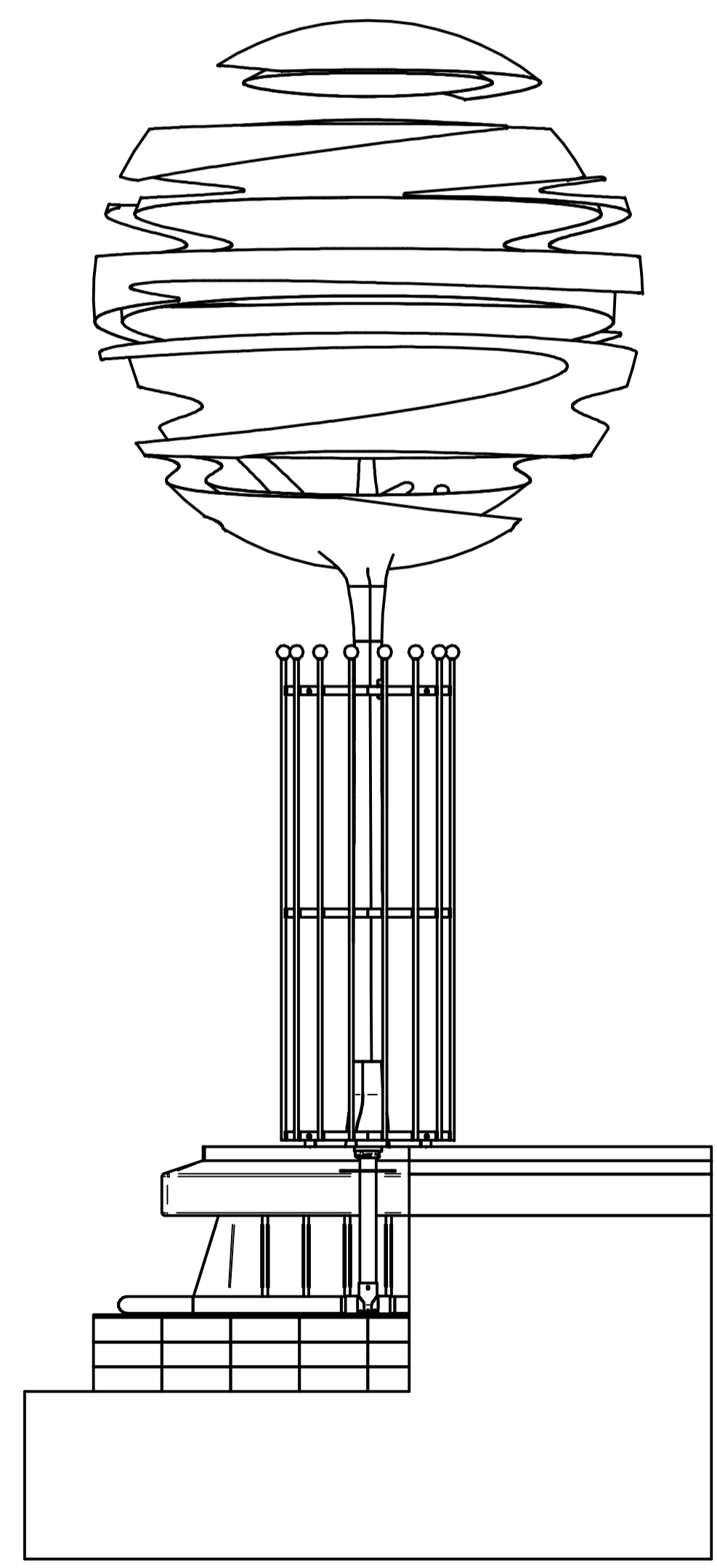
Special drive rod required for SASLP installation



**ISOMETRIC VIEW WITH CUT-AWAY TO SHOW PRODUCTS
1:20**



PARTIAL SECTION A-A



**SIDE VIEW
1:20**

| NAME | DATE | Greenleaf Urban tree and landscape products | |
|---|------------|--|----------------------|
| DRAWN: Adrian White | 20/02/2011 | 3 Heyward Way, Ivyhouse Industrial Estate, Hastings, East Sussex TN35 4PL Tel: +44 (0)1424 717 797 Fax: +44 (0)1424 205 240 E-mail: enquiries@treedintowns.com Website: www.treedintowns.com | |
| CHECKED: | | TITLE: TREE PRODUCT PACKAGES | |
| ENG APPR: | | GR1011 Tree pit system installation | |
| MGR APPR: | | SIZE: A1 | REV: G |
| UNLESS OTHERWISE SPECIFIED DIMENSIONS ARE IN MILLIMETERS ANGLES =XX° 2 PL =XXX 3 PL =XXXX | | DWG NO: GRE-100529-DFT-010 | FILENAME: GR1011.dft |
| | | SCALE: | WEIGHT: SHEET 1 OF 1 |