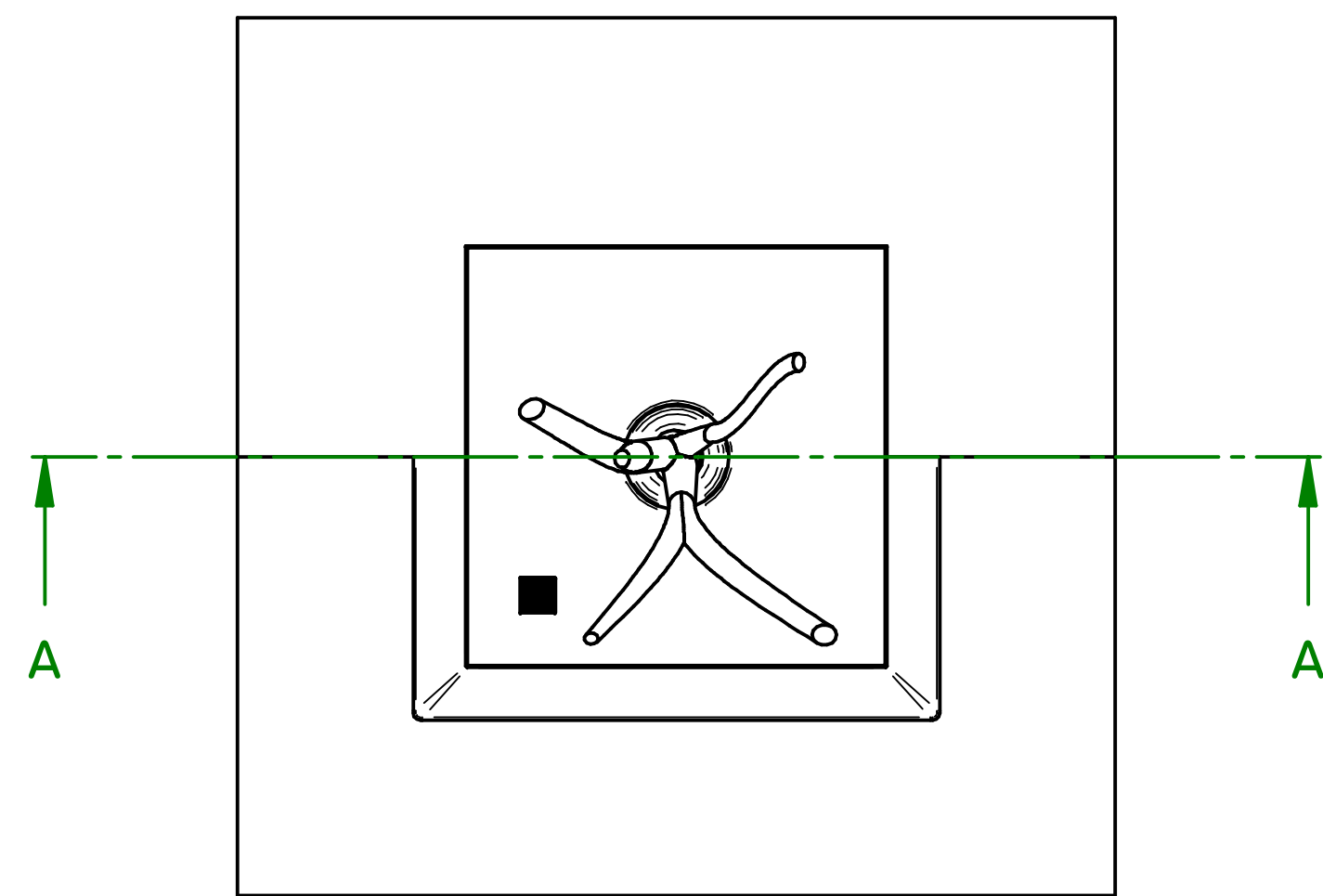


| REVISION HISTORY | | | |
|------------------|-------------|------|----------|
| REV | DESCRIPTION | DATE | APPROVED |
| | | | |



PLAN VIEW WITH CANOPY HIDDEN
1:20

Package includes:

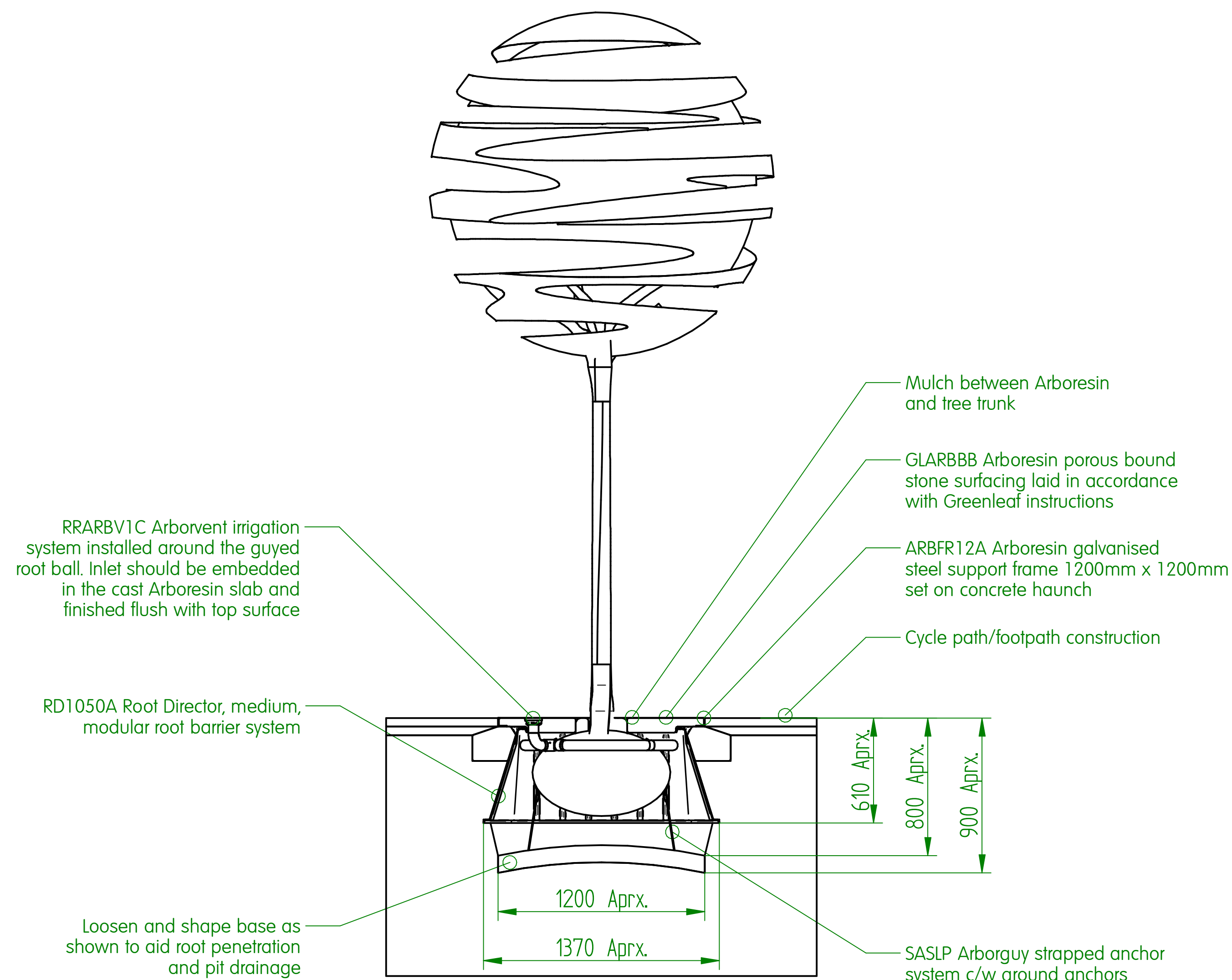
- RRARBV1C Arborvent single inlet aeration/irrigation system with cast inlet
- GLARBBB Arboresin porous bound stone surfacing, 1200mm x 1200mm x 50mm thick - 6 units
- ARBFR12A Arboresin galvanised steel frame 1200mm x 1200mm - in 2 halves, outer frame only
- RD1050A Root Director
- SASLP Arborguy strapped anchor system - Large

Note:

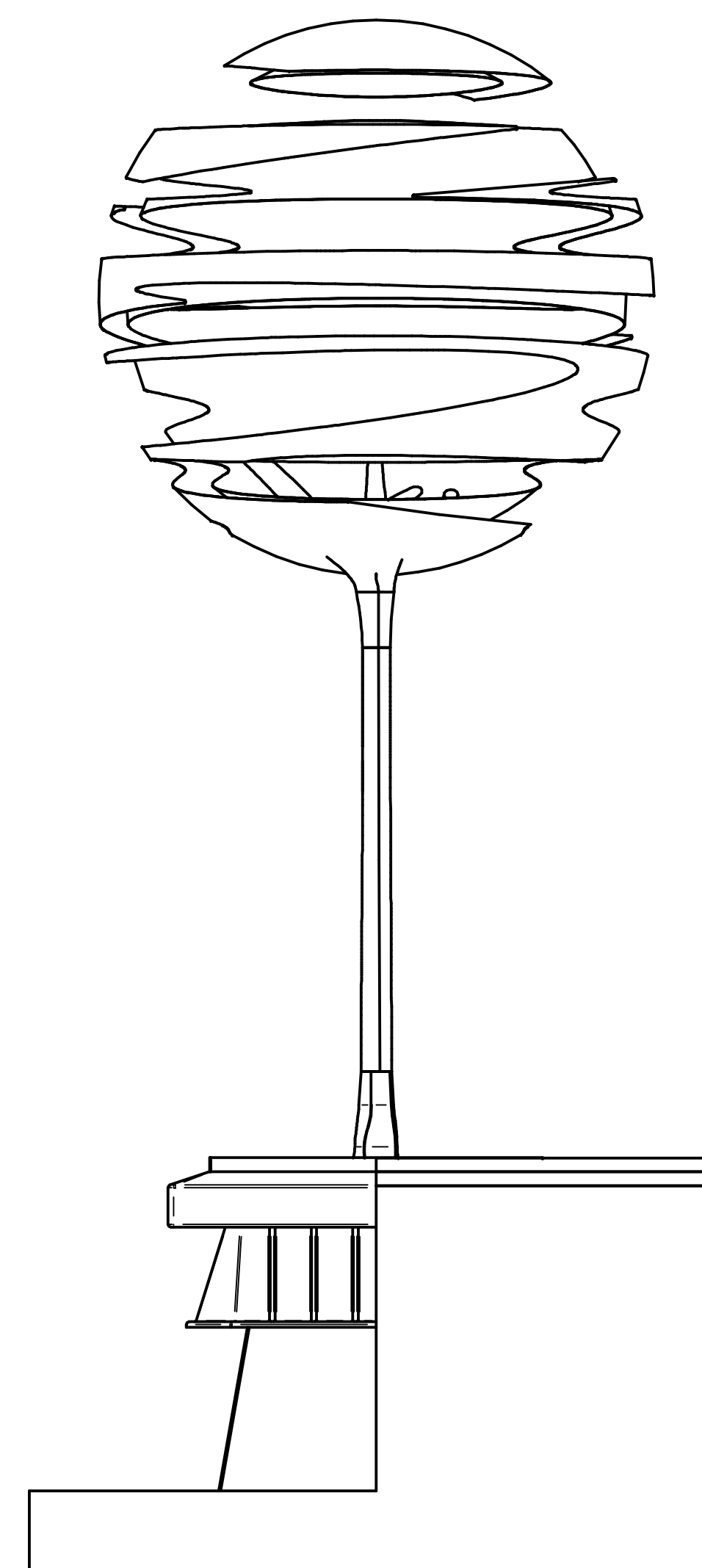
Special drive rod required for SASLP installation



ISOMETRIC VIEW WITH CUT-AWAY TO SHOW PRODUCTS
1:20



PARTIAL SECTION A-A



SIDE VIEW
1:20

| NAME | DATE | Greenleaf Urban tree and landscape products | |
|--|------------|--|----------------------|
| DRAWN: Adrian White | 20/02/2011 | 3 Heyward Way, Ivyhouse Industrial Estate, Hastings, East Sussex TN35 4PL Tel: +44 (0)1424 717 797 Fax: +44 (0)1424 205 240 E-mail: enquiries@treeintowns.com Website: www.treeintowns.com | |
| CHECKED | | TITLE: TREE PRODUCT PACKAGES | |
| ENG APPR | | GR1010 Tree pit system installation | |
| MGR APPR | | SIZE: A1 | REV: H |
| UNLESS OTHERWISE SPECIFIED DIMENSIONS ARE IN MILLIMETERS ANGLES °XX' | | DWG NO: GRE-100529-DFT-011 | FILENAME: GR1010.dft |
| 2 PL ±XXX 3 PL ±XXXX | | SCALE: | WEIGHT: SHEET 1 OF 1 |