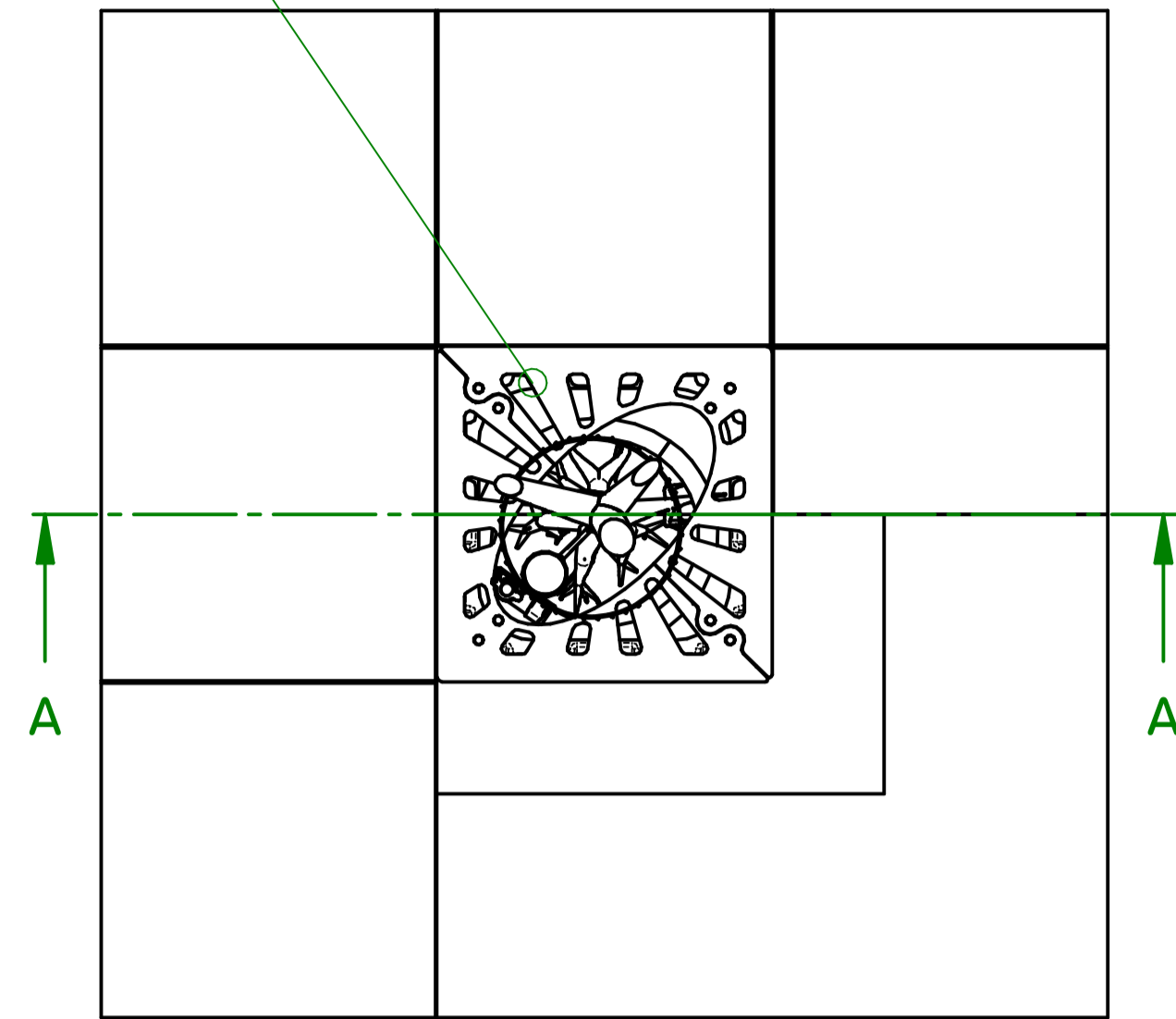


REVISION HISTORY			
REV	DESCRIPTION	DATE	APPROVED

MEDW06A Medway 600x600 tree grille



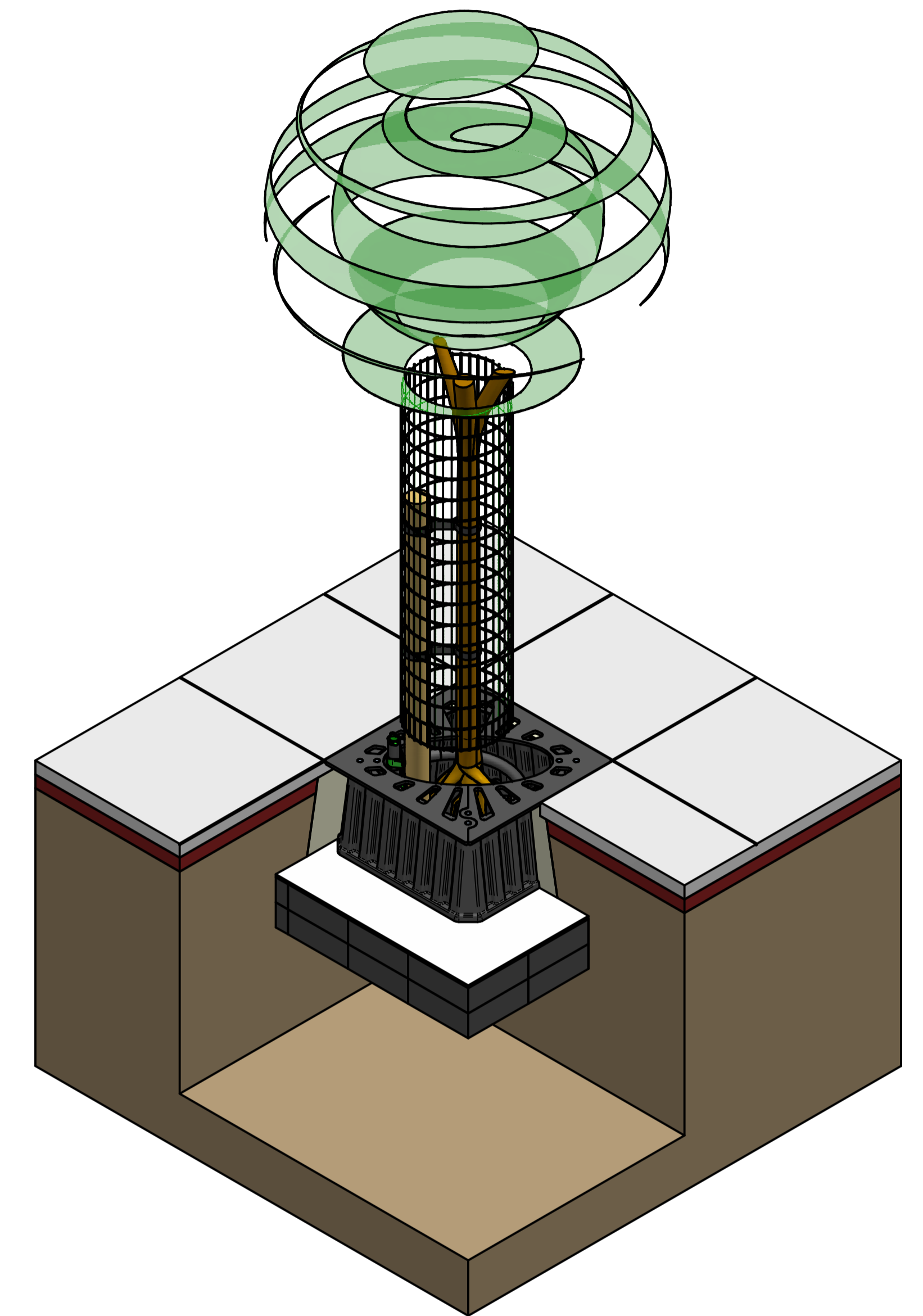
PLAN VIEW WITH CANOPY HIDDEN
1:12.5

Package includes:

- GLRCMA RootCells, 24 No. 250mm x 250mm x 90mm.
- GLGCG1.2A Greencoat weldmesh guard 1.2m high x 300mm diameter
- RRPC2A RootRain Metro aeration/irrigation system
- RD510A Root Director
- MEDW06A Medway 600mm x 600mm tree grille with securing hardware, finished in black
- GLB25A belt
- GLPFA spacer sleeve
- GLTWGNA twinwall geonet - 1 Sq. m

Note:

RD510A is designed for small tree species



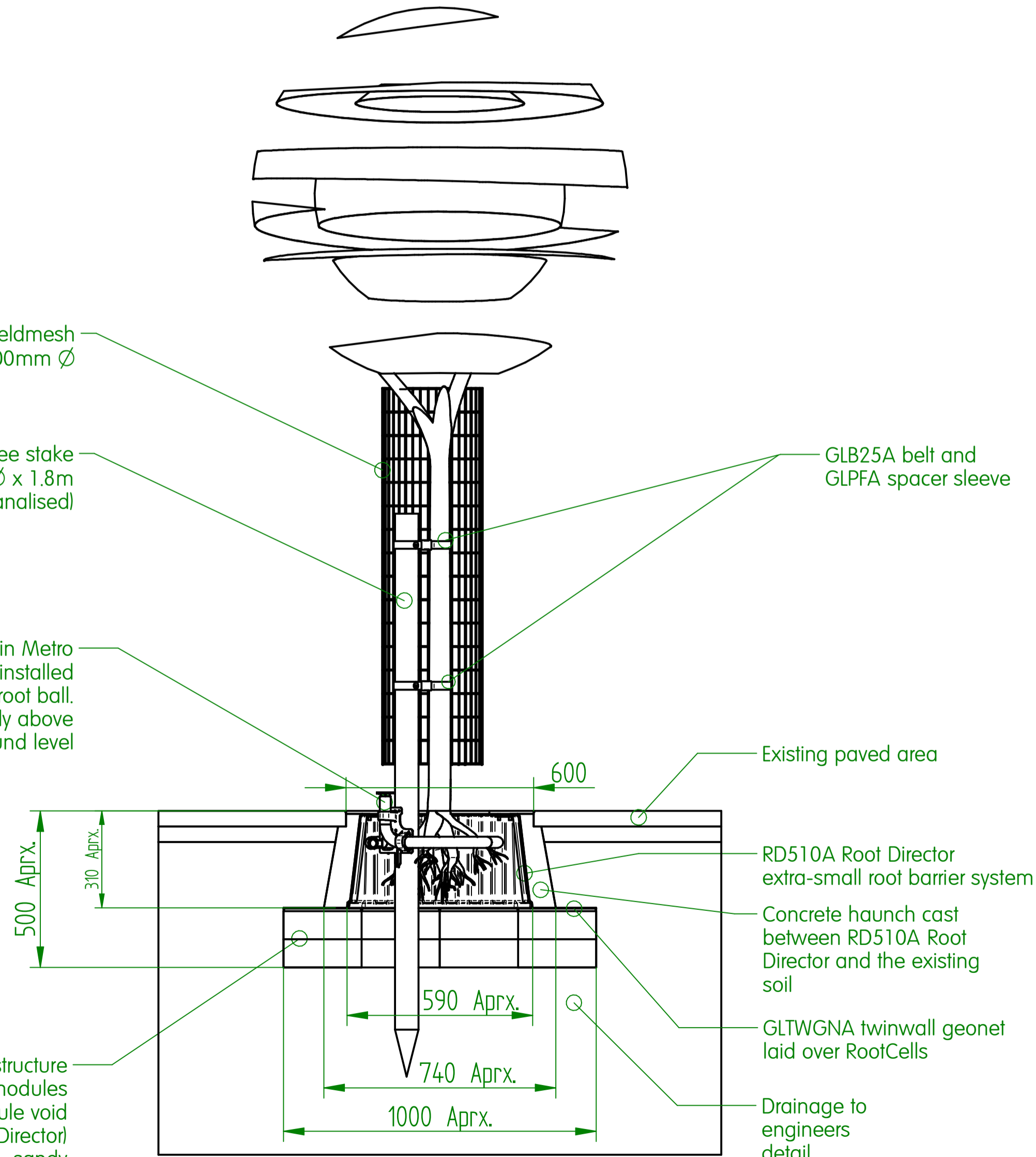
ISOMETRIC VIEW WITH CUT-AWAY TO SHOW PRODUCTS
1:12.5

GLGCG1.2A Greencoat weldmesh tree guard 1.2m high x 300mm Ø

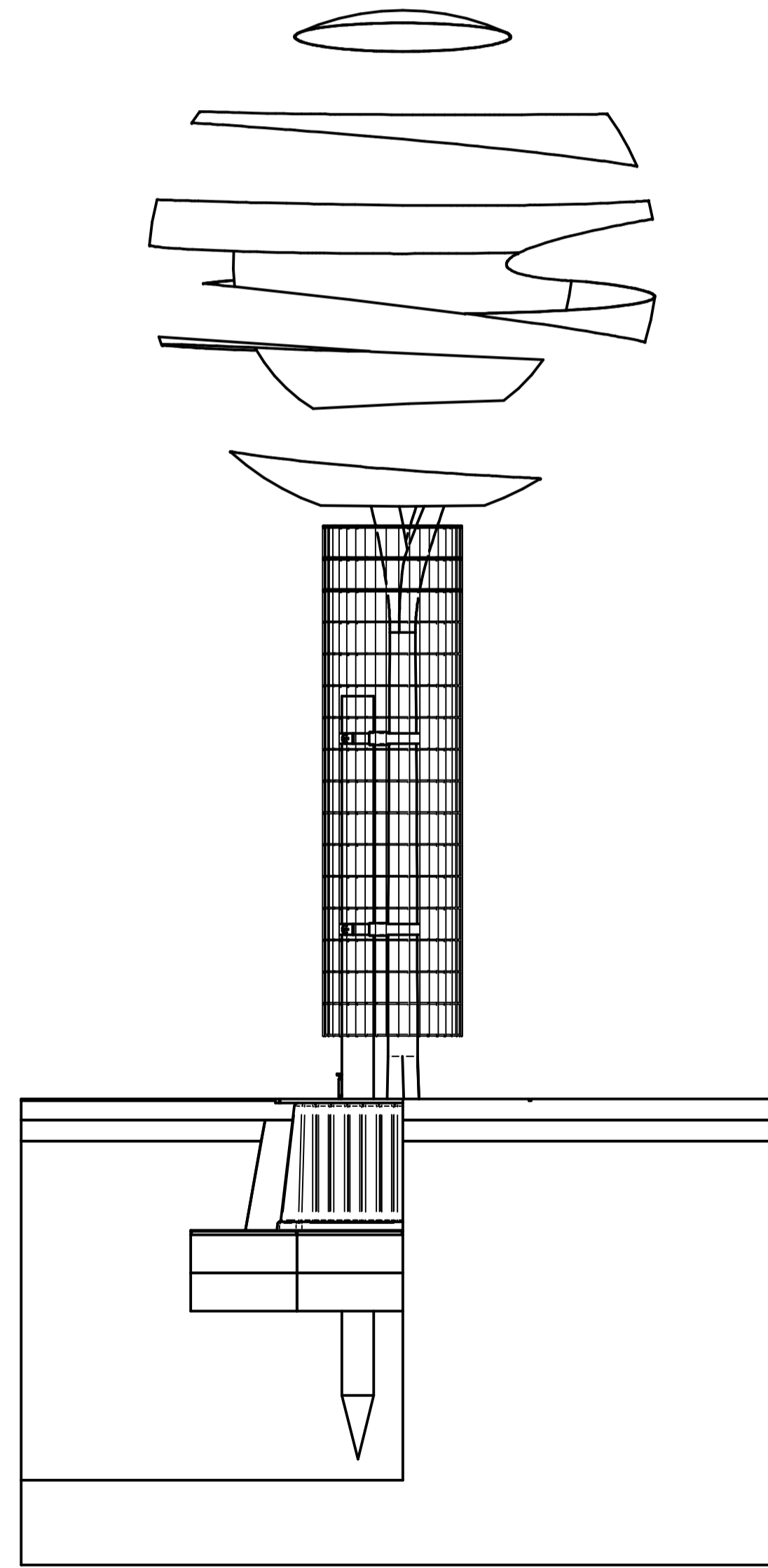
Timber tree stake 75mm Ø x 1.8m long (tanalised)

RRPC2A RootRain Metro irrigation system installed around the root ball. Ensure inlet is slightly above the finished surround level

GLRCMA RootCell structure 2 modules deep x 4 modules square (2 x 2 x 2 module void below centre of Root Director) loaded with topsoil - sandy loam to BS3882



PARTIAL SECTION A-A
1:12.5



SIDE VIEW
1:12.5

NAME	DATE	Greenleaf Urban tree and landscape products	
DRAWN: Adrian White	20/02/2011	3 Heywood Way, Ivyhouse Industrial Estate, Hastings, East Sussex TN35 4PL Tel: +44 (0)1424 717 797 Fax: +44 (0)1424 205 240 E-mail: enquiries@treeintowns.com Website: www.treeintowns.com	
CHECKED:		TITLE: TREE PRODUCT PACKAGES	
ENG APPR:		GR1009 Tree pit system installation	
MGR APPR:		SIZE: A1	REV: K
UNLESS OTHERWISE SPECIFIED DIMENSIONS ARE IN MILLIMETERS ANGLES °XX' 2 PL ±XXX 3 PL ±XXXX		DWG NO: GRE-100728-DFT-001	FILENAME: GR1009.dft
SCALE:	WEIGHT:	SHEET 1 OF 1	