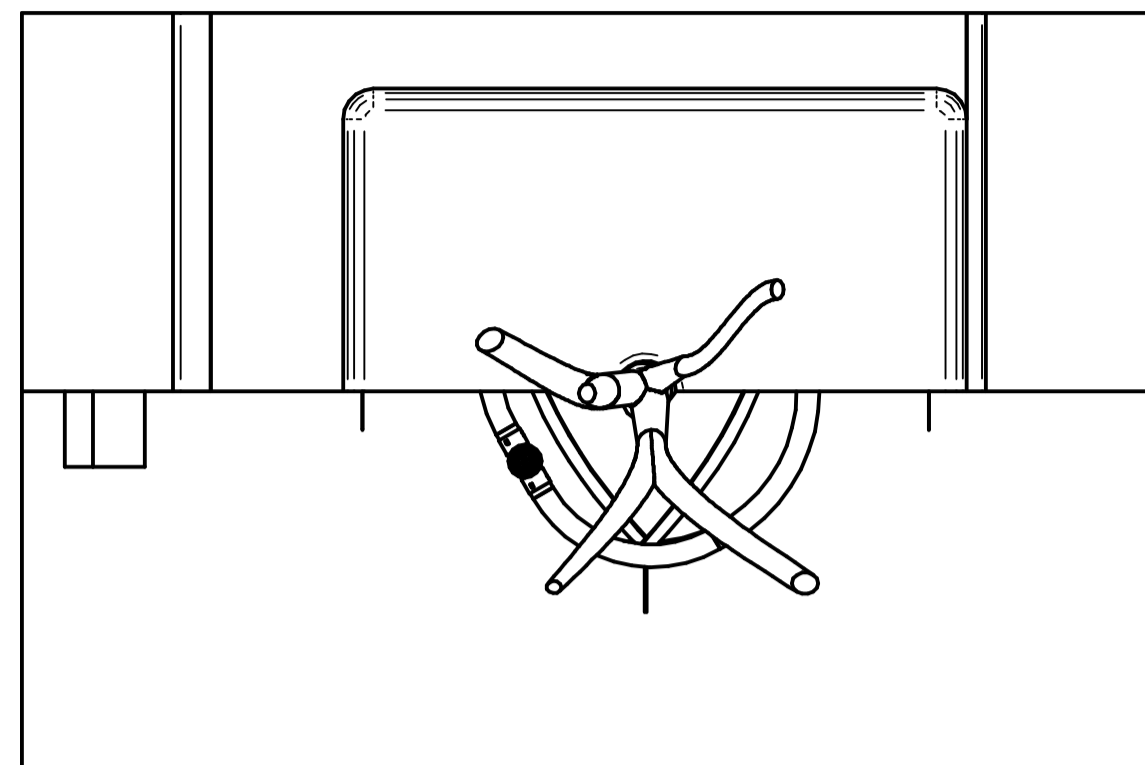
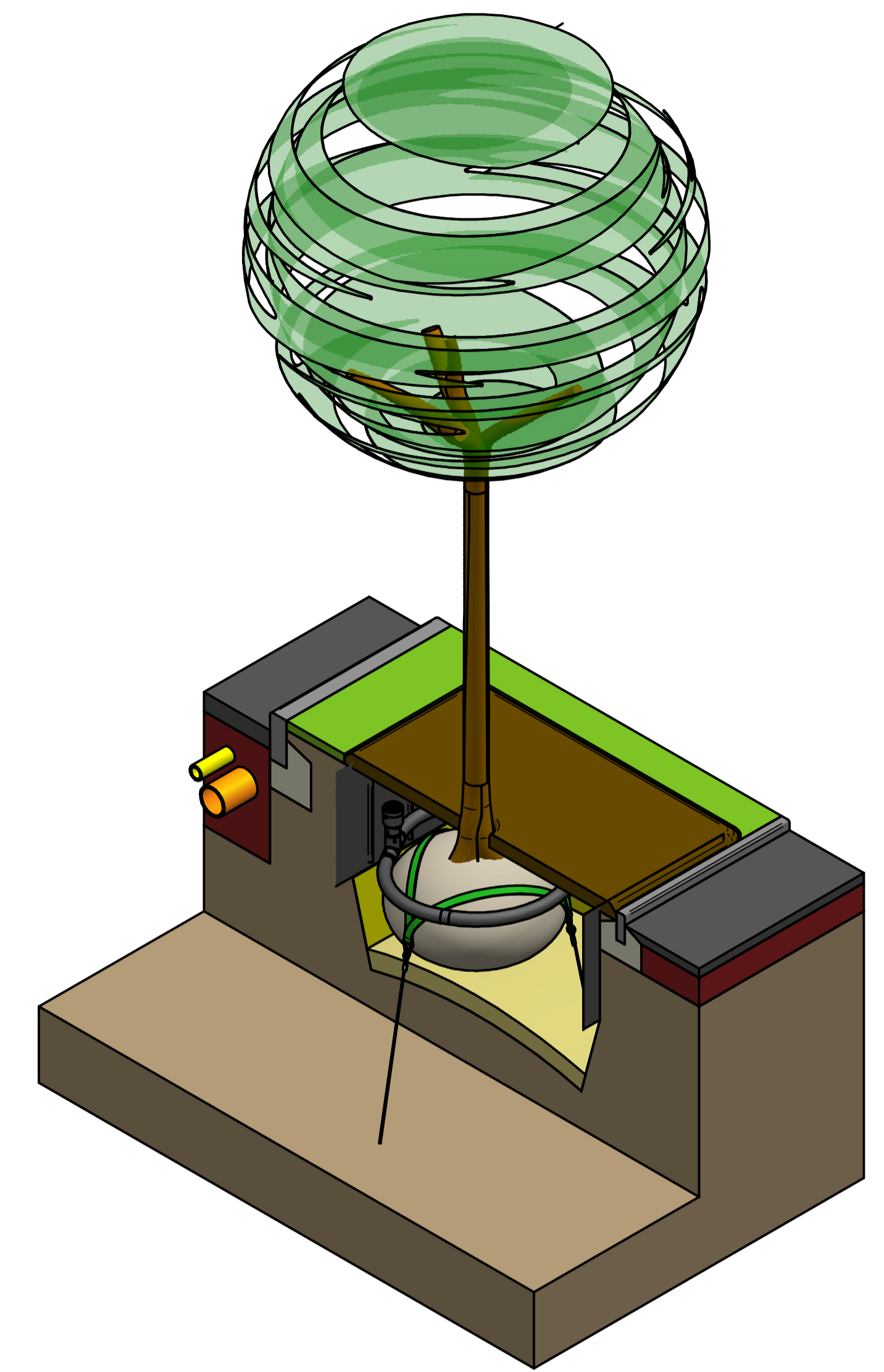


REVISION HISTORY			
REV	DESCRIPTION	DATE	APPROVED

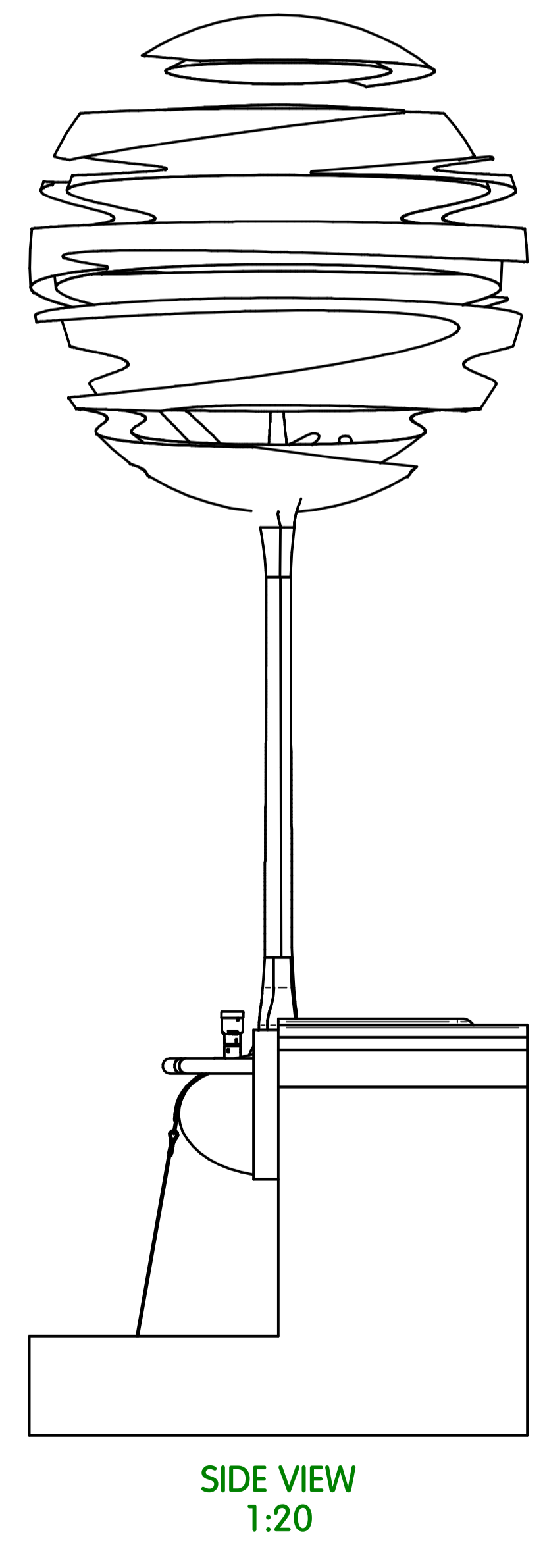
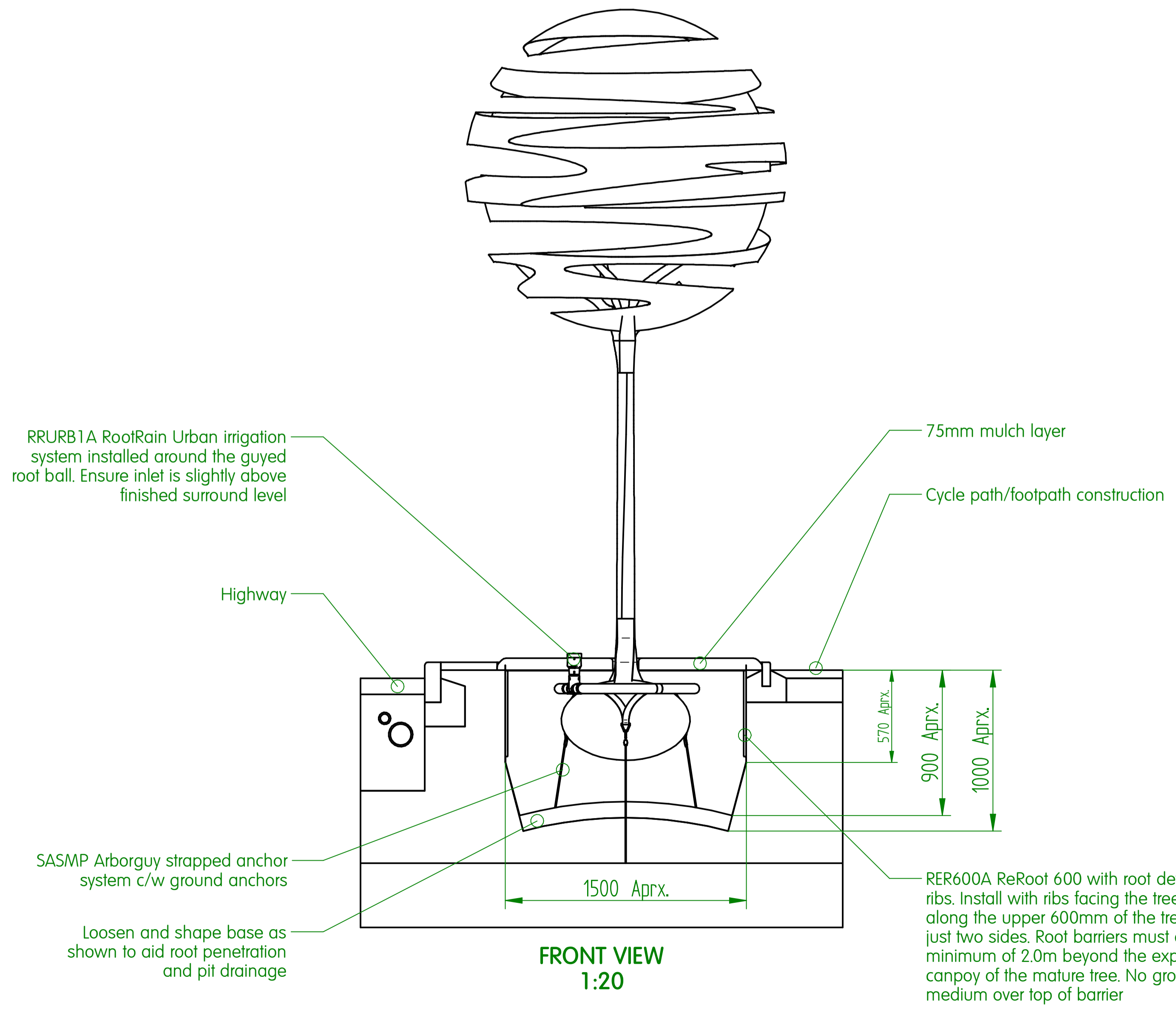


PLAN VIEW WITH CANOPY HIDDEN
1:20

Package includes:
 RRURB1A RootRain Urban aeration/irrigation system
 RER600A ReRoot 600 ribbed root barrier
 SASMP Arborguy strapped anchor system - Medium
Note:
 Special drive rod required for SASMP installation



ISOMETRIC VIEW WITH CUT-AWAY TO SHOW PRODUCTS
1:20



NAME	DATE	Greenleaf Urban tree and landscape products	
DRAWN: Adrian White	20/02/2011	3 Heyward Way, Ivyhouse Industrial Estate, Hastings, East Sussex TN35 4PL Tel: +44 (0)1424 717 797 Fax: +44 (0)1424 205 240 E-mail: enquiries@treestowns.com Website: www.treestowns.com	
CHECKED:		TITLE: TREE PRODUCT PACKAGES	
ENG APPR:		GR1007 Tree pit system installation	
MGR APPR:		SIZE: A1	REV: F
UNLESS OTHERWISE SPECIFIED DIMENSIONS ARE IN MILLIMETERS ANGLES =XX° 2 PL =XXX 3 PL =XXXX		DWG NO: GRE-100529-DFT-009	FILENAME: GR1007.dft
SCALE:	WEIGHT:	SHEET 1 OF 1	