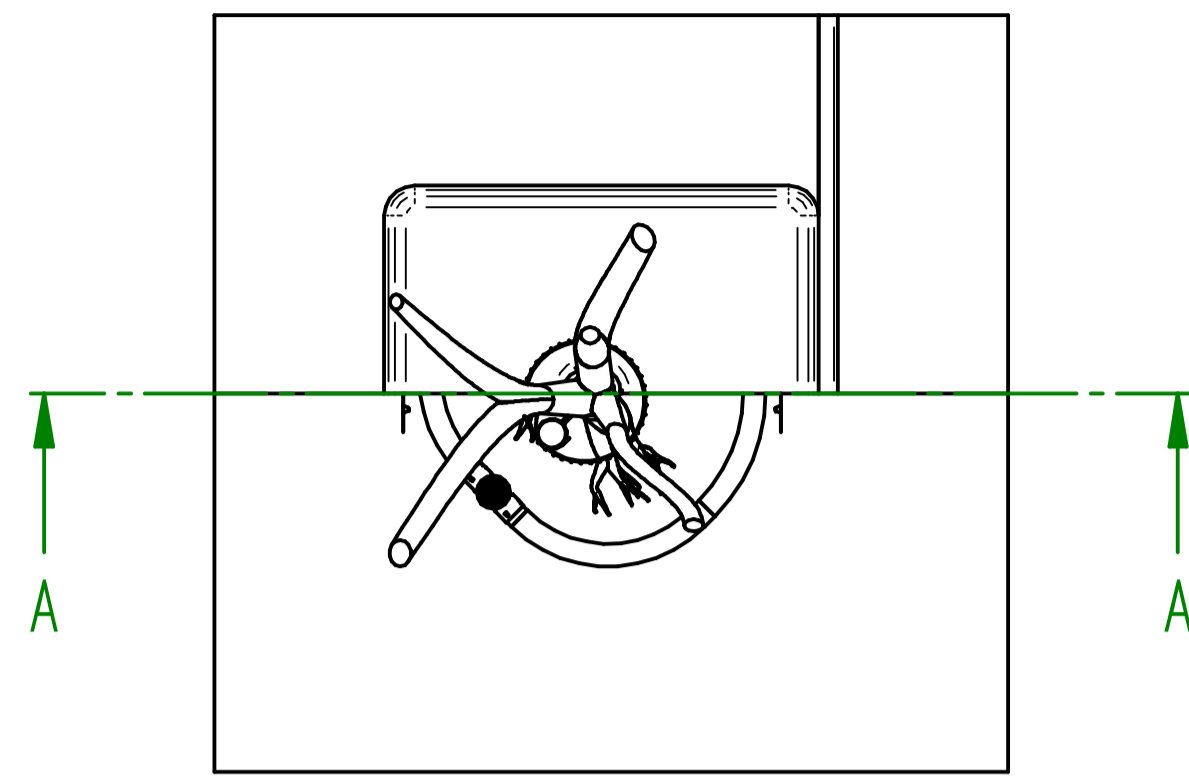
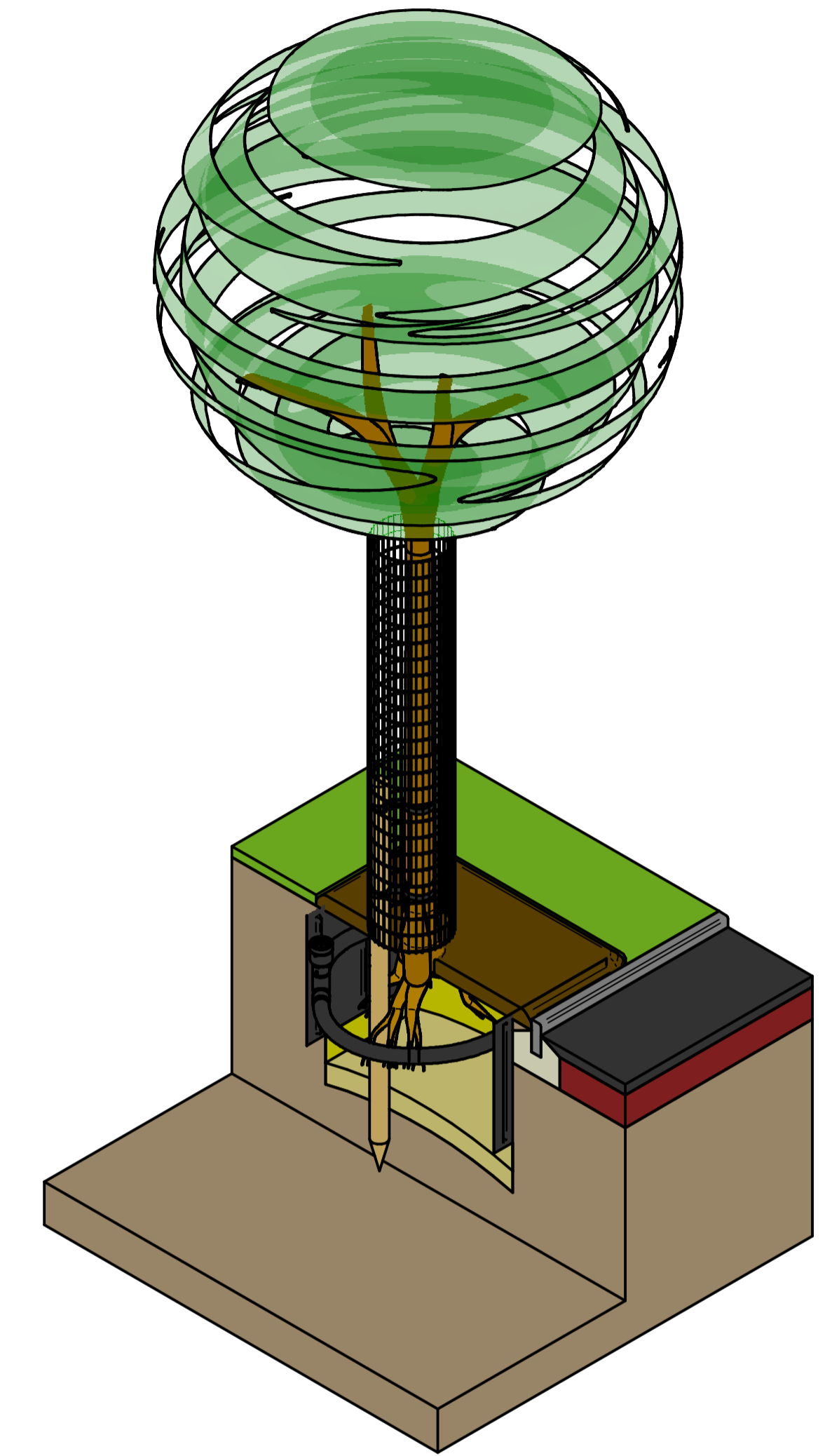


REVISION HISTORY			
REV	DESCRIPTION	DATE	APPROVED

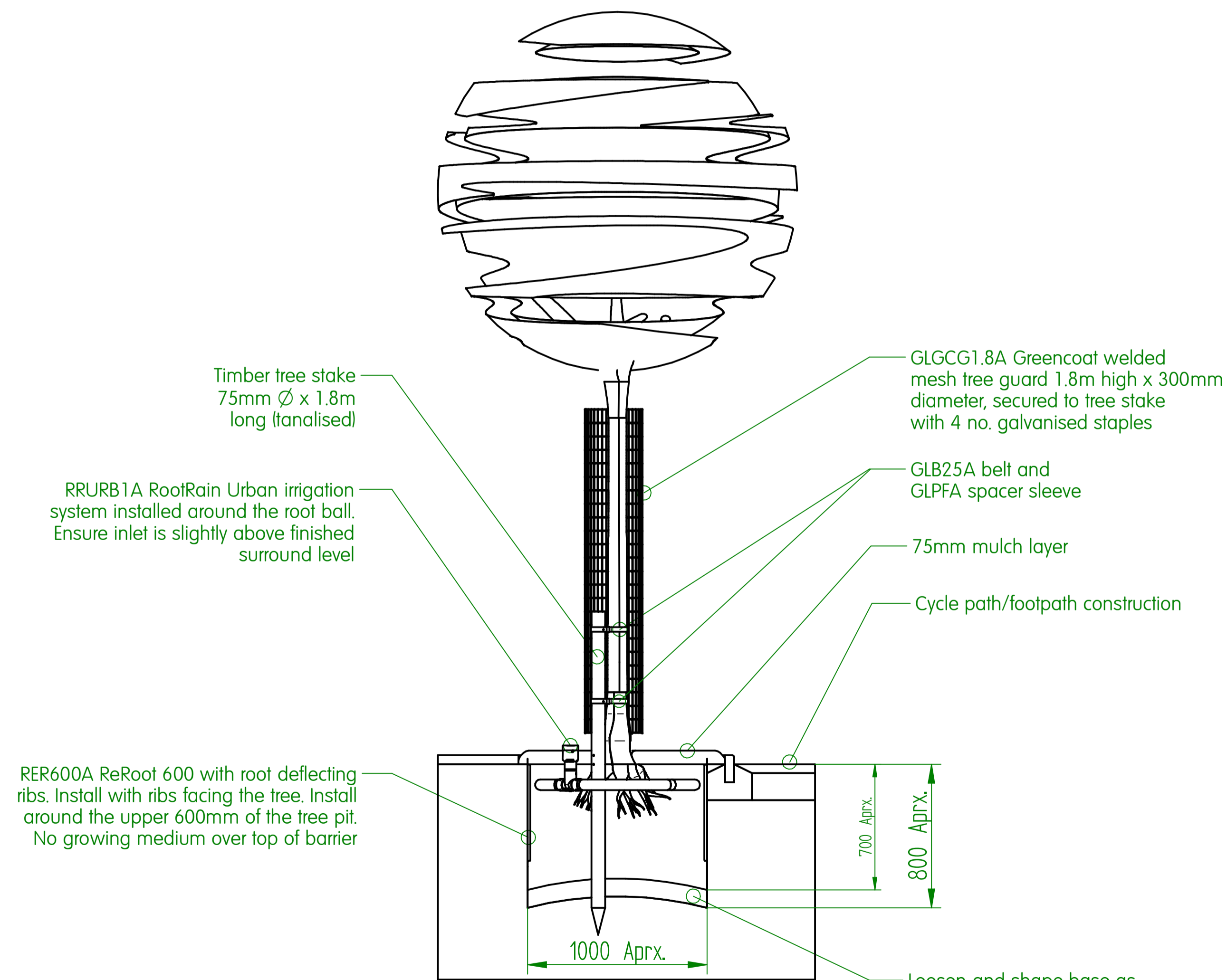


PLAN VIEW WITH CANOPY HIDDEN
1:20

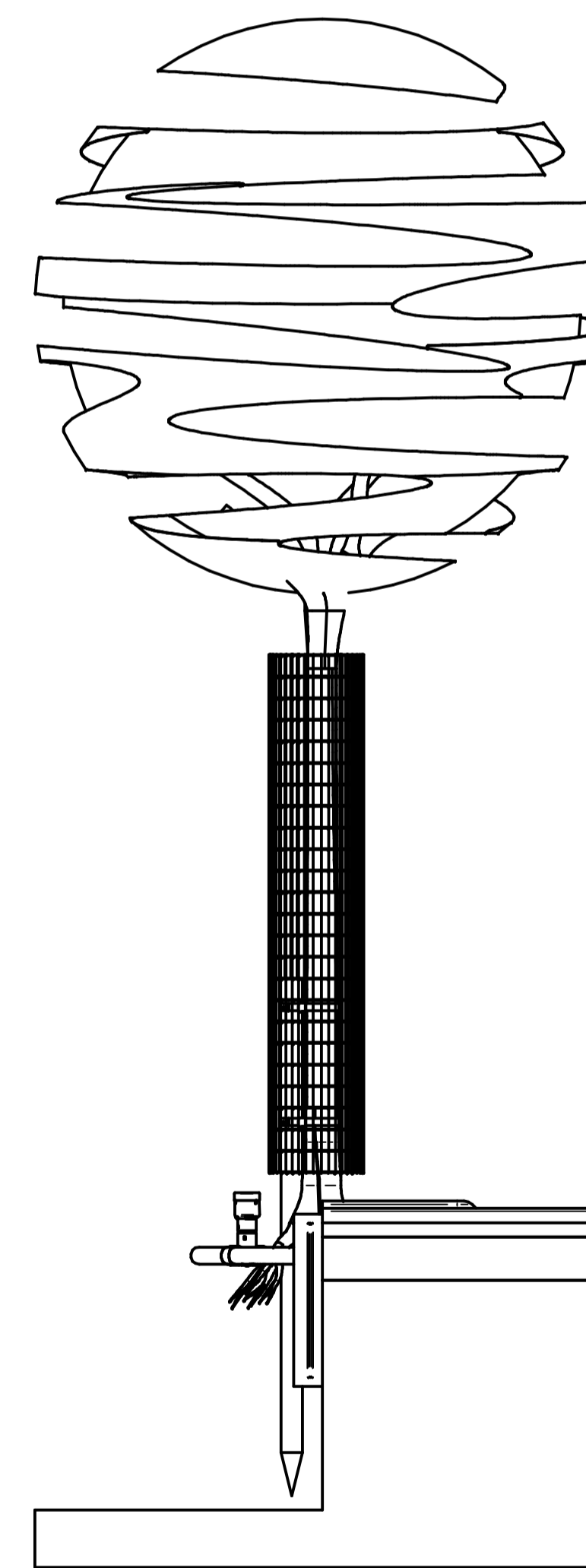
- Package includes:**
- RRURB1A RootRain Urban aeration/irrigation system
 - RER600A ReRoot 600 ribbed root barrier
 - RERJTA ReRoot joint tape - 1 roll
 - GLGCG1.8A Greencoat weldmesh tree guard 1.8m high x 300mm diameter
 - GLB25A belt
 - GLPFA spacer sleeve



ISOMETRIC VIEW WITH CUT-AWAY TO SHOW PRODUCTS
1:20



PARTIAL SECTION A-A
1:20



SIDE VIEW
1:20

DRAWN	NAME: Adrian White	DATE: 20/02/2011	Greenleaf Urban tree and landscape products 3 Heyward Way, Ivyhouse Industrial Estate, Hastings, East Sussex TN35 4PL Tel: +44 (0)1424 717 797 Fax: +44 (0)1424 205 240 E-mail: enquiries@treeintowns.com Website: www.treeintowns.com
CHECKED	TITLE: TREE PRODUCT PACKAGES		
ENG APPR	MGR APPR		
UNLESS OTHERWISE SPECIFIED DIMENSIONS ARE IN MILLIMETERS ANGLES =X° 2 PL =XXX 3 PL =XXXX			
SIZE: A1	DWG NO: GRE-100529-DFT-08	REV: E	FILENAME: GR1006.dft
SCALE:	WEIGHT:	SHEET 1 OF 1	