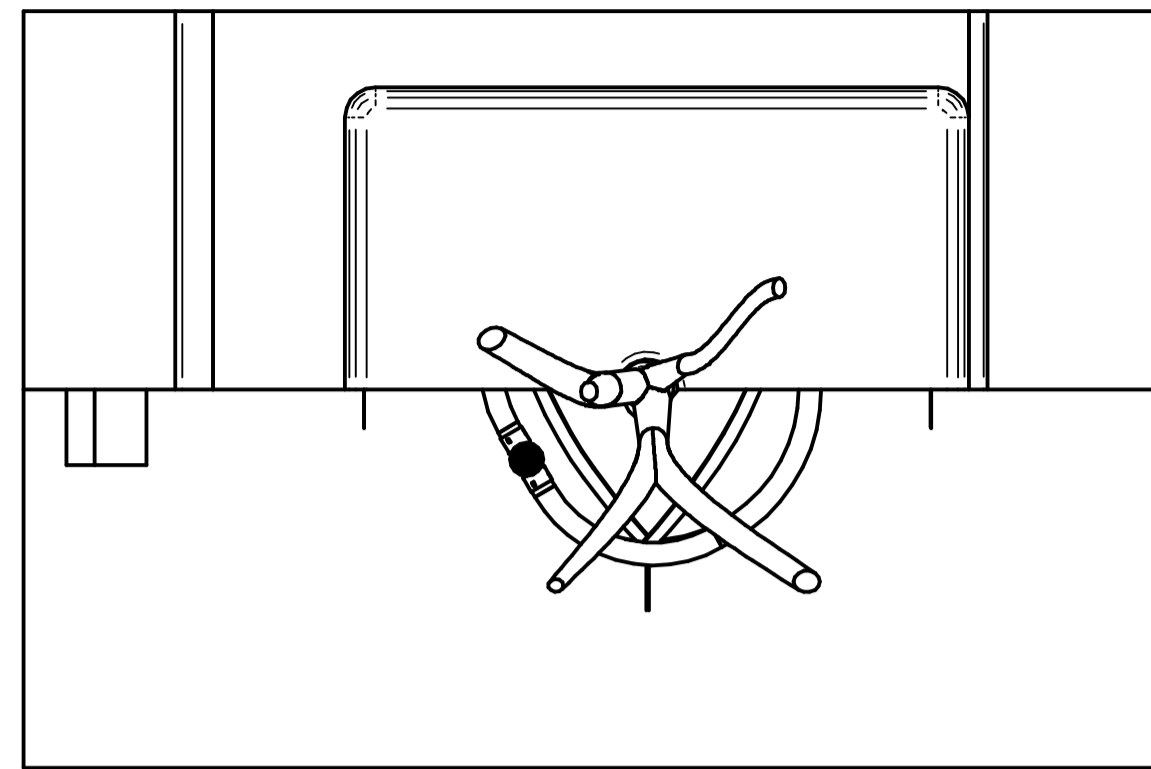


REVISION HISTORY			
REV	DESCRIPTION	DATE	APPROVED



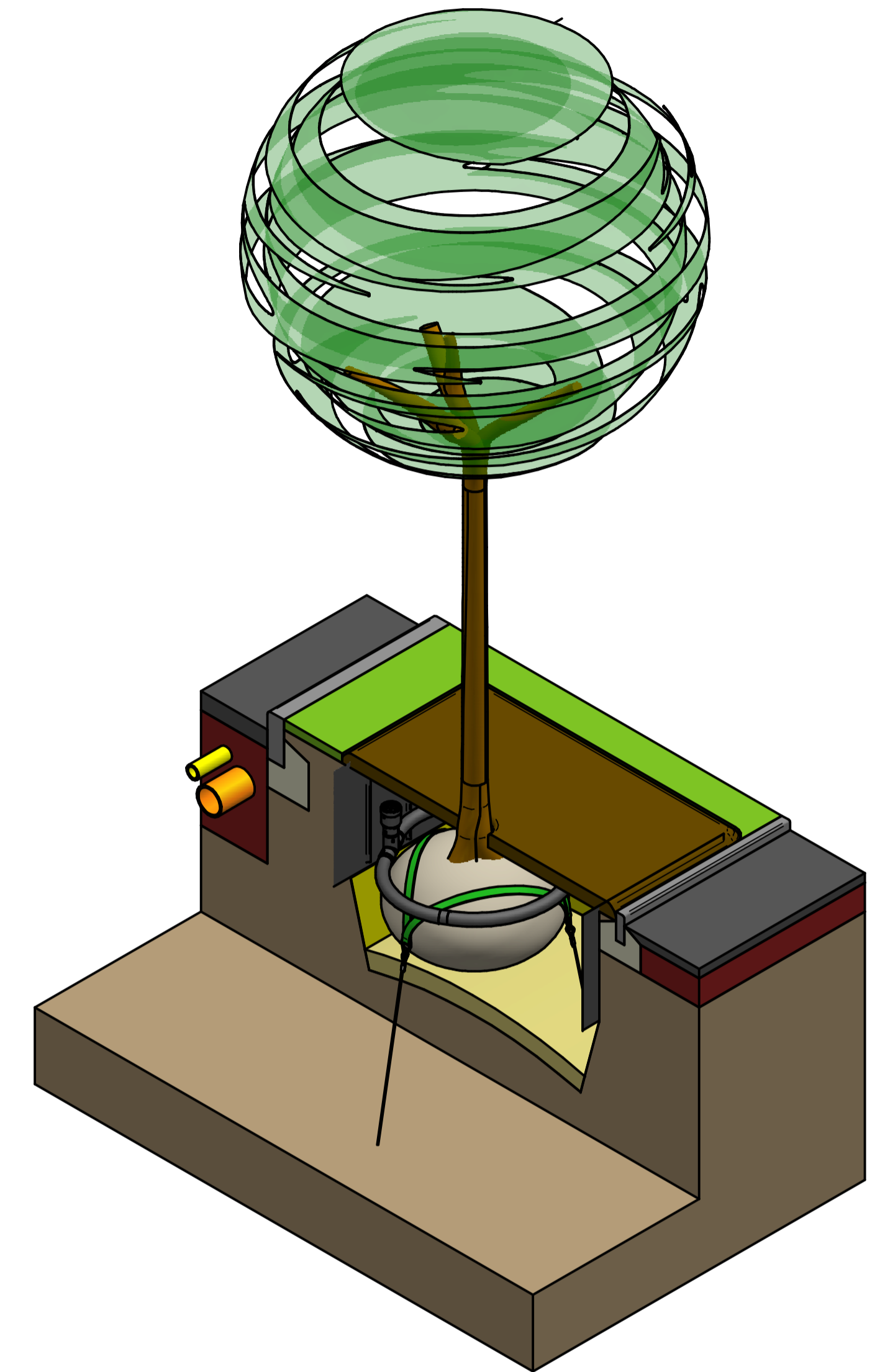
PLAN VIEW WITH CANOPY HIDDEN
1:20

Package includes:

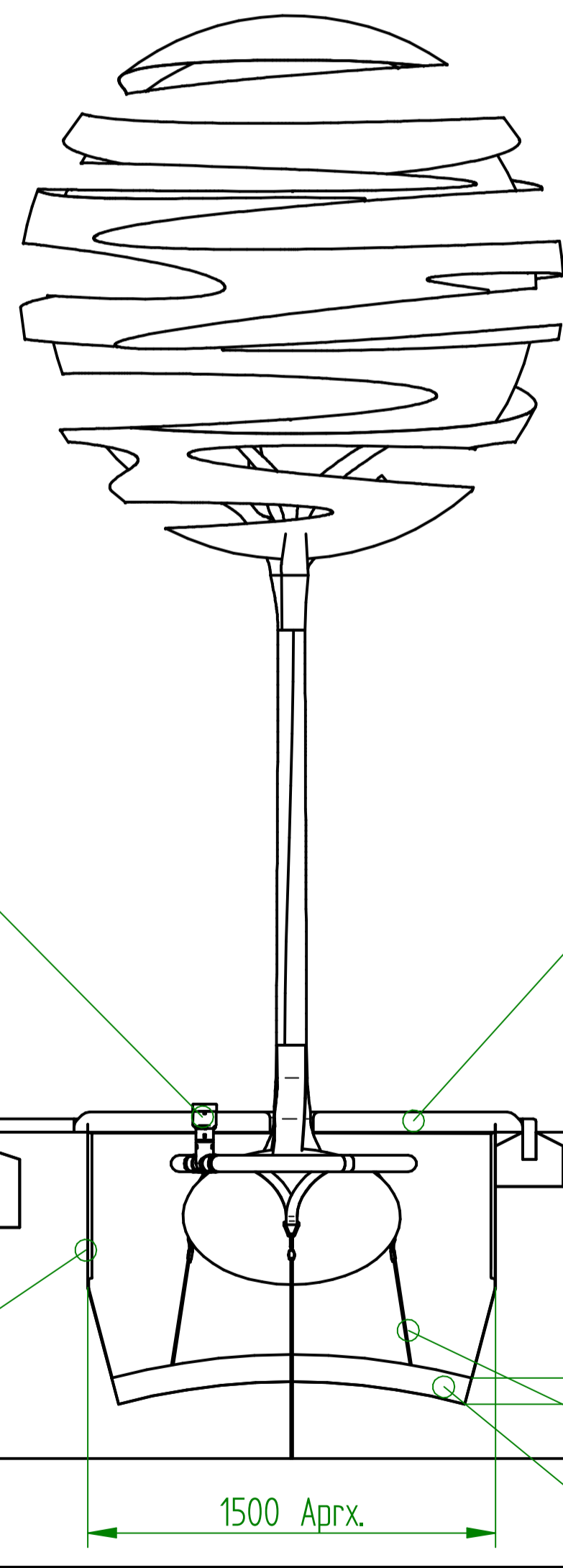
- RRURB1A RootRain Urban aeration/irrigation system
- RER600A ReRoot 600 ribbed root barrier
- RERJTA ReRoot joint tape - 1 roll
- SASMP Arborguy strapped anchor system - Medium

Note:

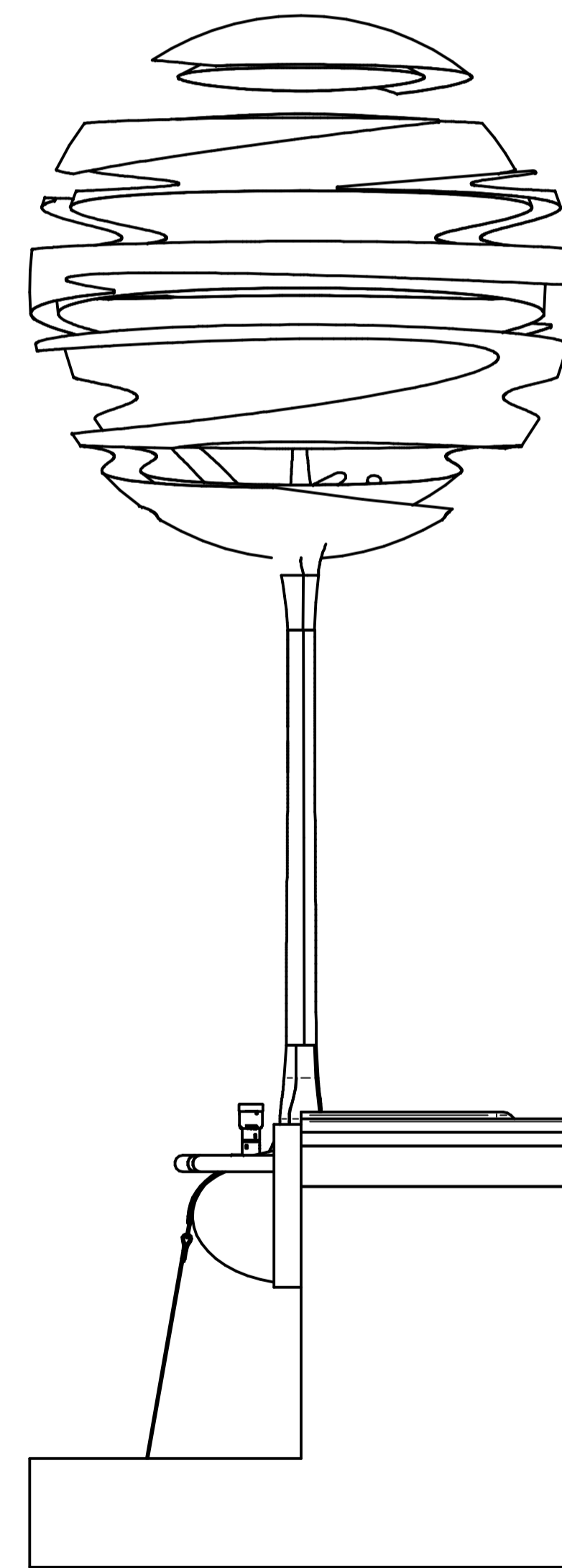
Special drive rod required for SASMP Installation



ISOMETRIC VIEW WITH CUT-AWAY TO SHOW PRODUCTS
1:20



FRONT VIEW
1:20



SIDE VIEW
1:20

RRURB1A RootRain Urban irrigation system installed around the guyed root ball. Ensure inlet is slightly above finished surround level.

Highway

RER600A ReRoot 600 with root deflecting ribs. Install with ribs facing the tree. Install around the upper 600mm of the tree pit. No growing medium over top of barrier

75mm mulch layer

Cycle path/footpath construction

900 Aprx.
1000 Aprx.

SASMP Arborguy strapped anchor system c/w ground anchors

Loosen and shape base as shown to aid root penetration and pit drainage

1500 Aprx.

NAME	DATE	Greenleaf Urban tree and landscape products	
DRAWN: Adrian White	20/02/2011	3 Heyward Way, Ivyhouse Industrial Estate, Hastings, East Sussex TN35 4PL Tel: +44 (0)1424 717 797 Fax: +44 (0)1424 205 240 E-mail: enquiries@treedintowns.com Website: www.treedintowns.com	
CHECKED:		TITLE: TREE PRODUCT PACKAGES	
ENG APPR:		GR1005 Tree pit system installation	
MGR APPR:		SIZE: A1	REV: F
UNLESS OTHERWISE SPECIFIED DIMENSIONS ARE IN MILLIMETERS ANGLES =X°		DWG NO: GRE-100529-DFT-007	FILENAME: GR1005.dft
2 PL ±XXX 3 PL ±XXXX		SCALE:	WEIGHT: SHEET 1 OF 1