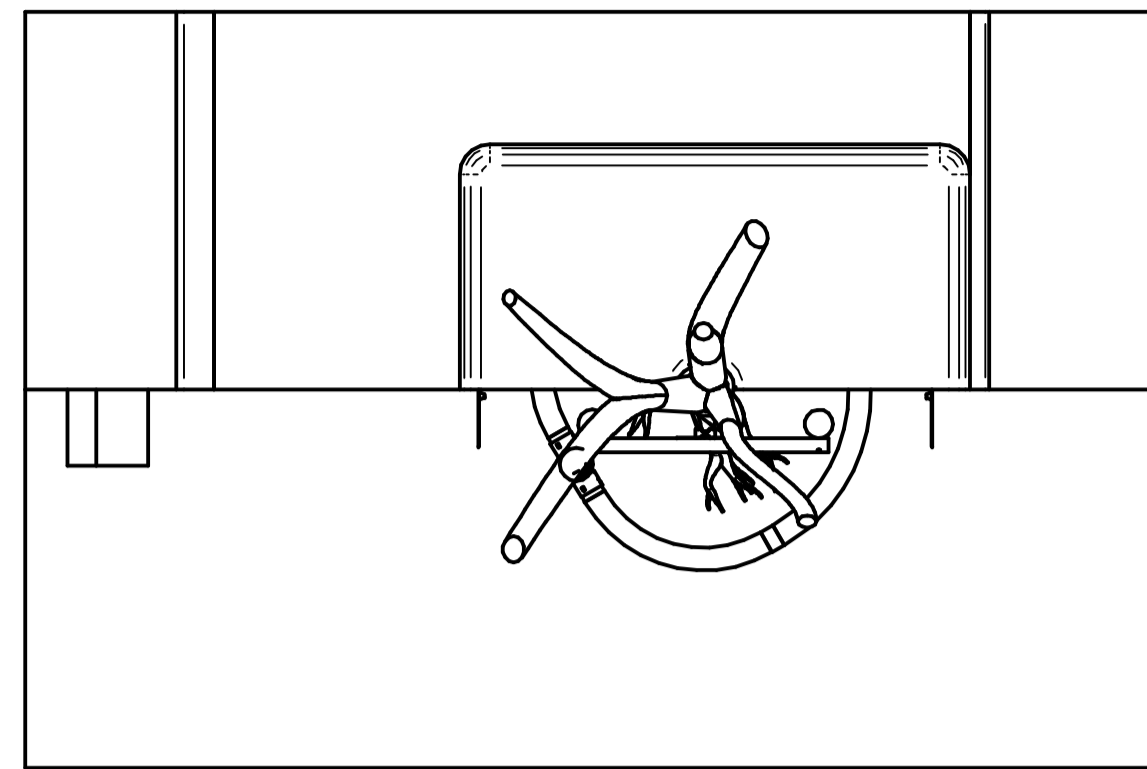


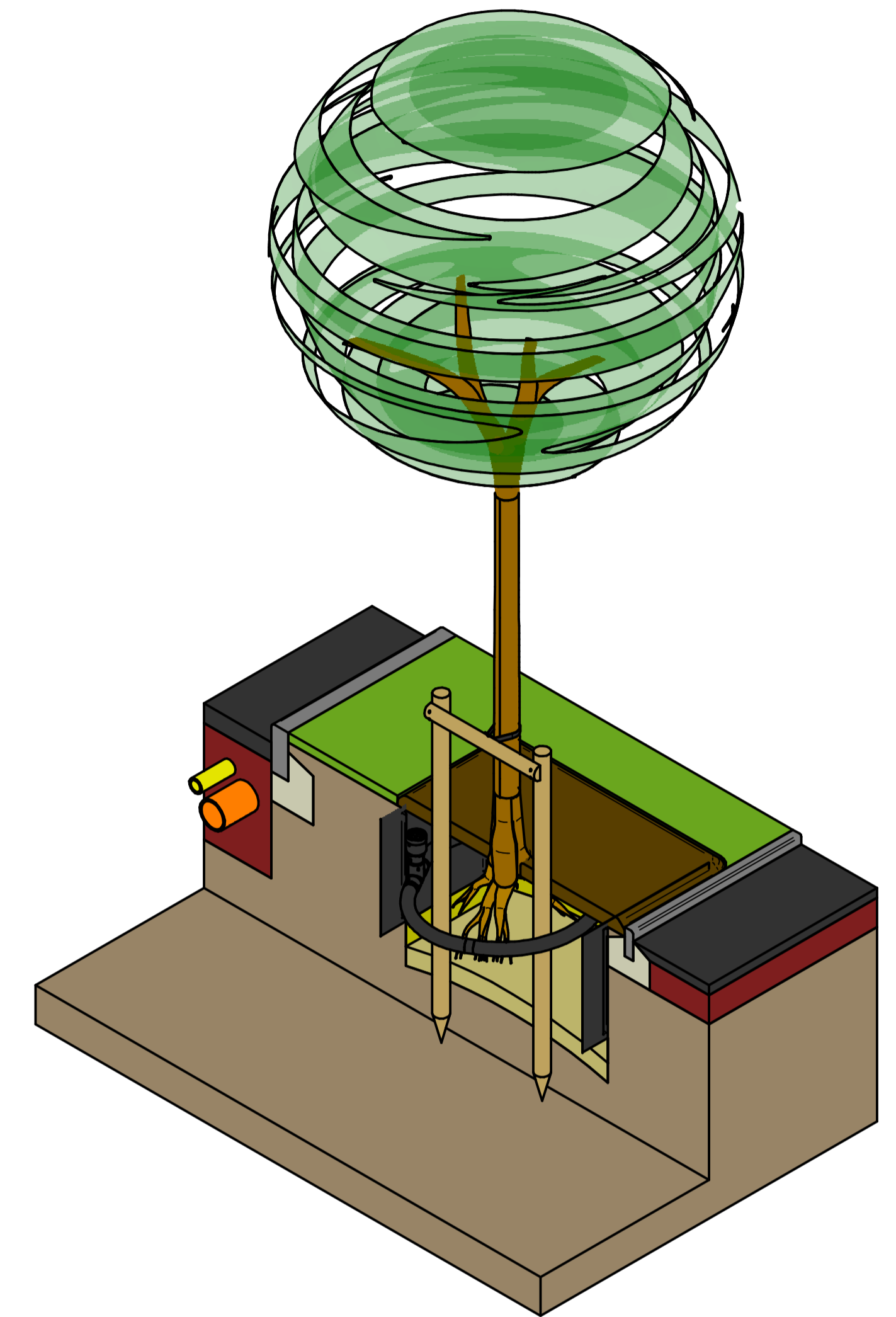
REVISION HISTORY			
REV	DESCRIPTION	DATE	APPROVED



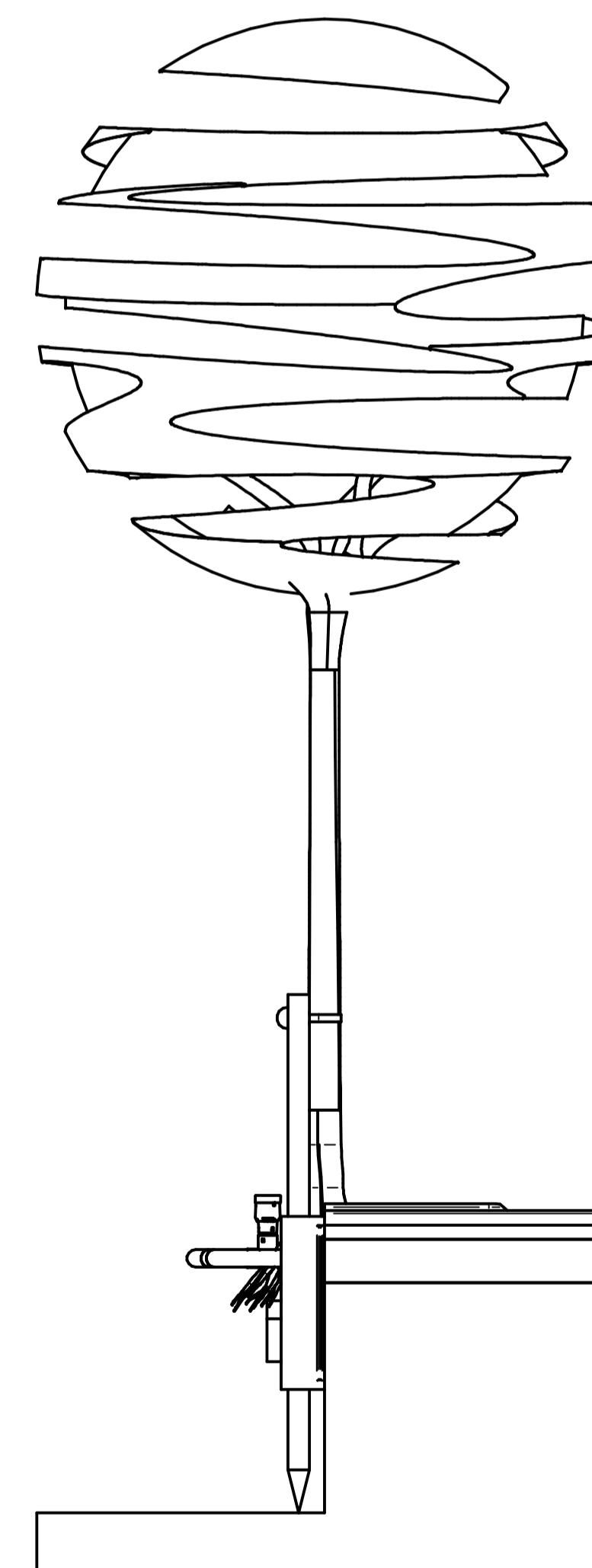
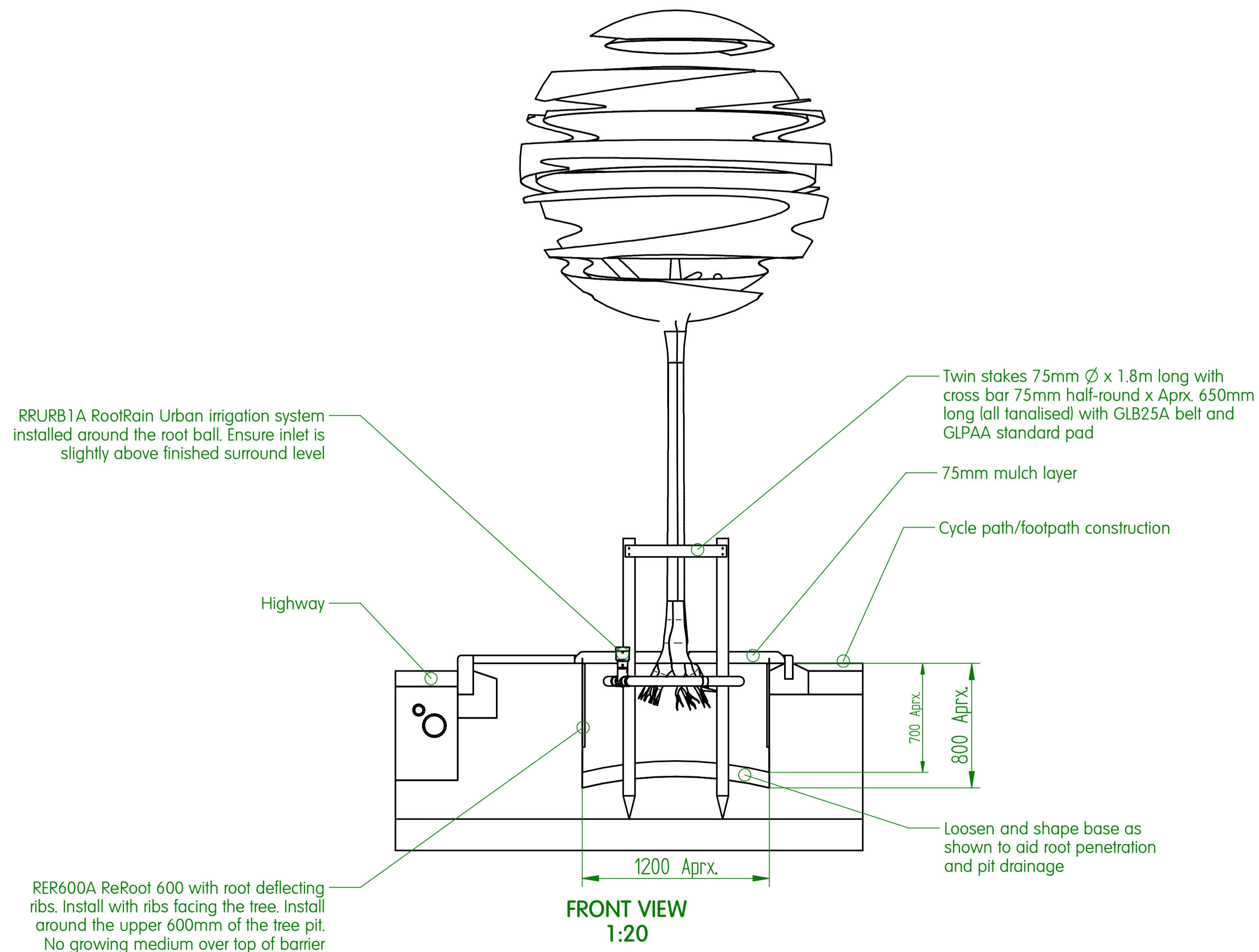
PLAN VIEW WITH CANOPY HIDDEN
1:20

Package includes:

- RRURB1A RootRain Urban aeration/irrigation system
- RER600A ReRoot 600 ribbed root barrier
- RERJTA ReRoot joint tape - 1 roll
- GLB25A belt
- GLPAA standard spacer pad



ISOMETRIC VIEW WITH CUT-AWAY TO SHOW PRODUCTS
1:20



SIDE VIEW
1:20

NAME	DATE	Greenleaf Urban tree and landscape products	
DRAWN: Adrian White	20/02/2011	3 Heyward Way, Ivyhouse Industrial Estate, Hastings, East Sussex TN35 4PL Tel: +44 (0)1424 717 797 Fax: +44 (0)1424 205 240 E-mail: enquiries@treestown.com Website: www.treestown.com	
CHECKED:		TITLE: TREE PRODUCT PACKAGES	
ENG APPR:		GR1004 Tree pit system installation	
MGR APPR:		SIZE: A1	REV: F
UNLESS OTHERWISE SPECIFIED DIMENSIONS ARE IN MILLIMETERS		DWG NO: GRE-100529-DFT-006	FILENAME: GR1004.dft
ANGLES =X°		SCALE:	WEIGHT:
2 PL =XXX 3 PL =XXXX		SHEET 1 OF 1	