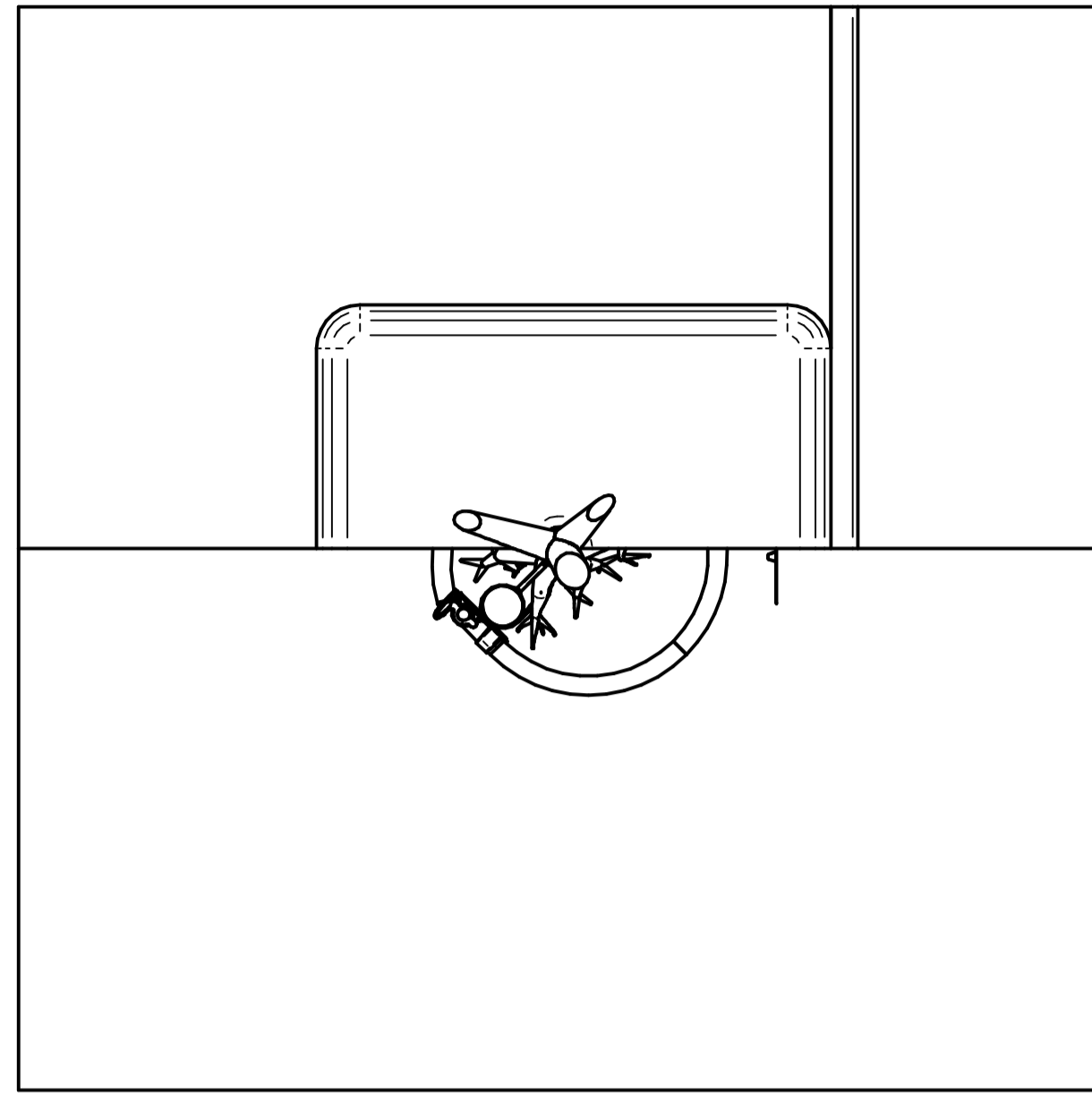


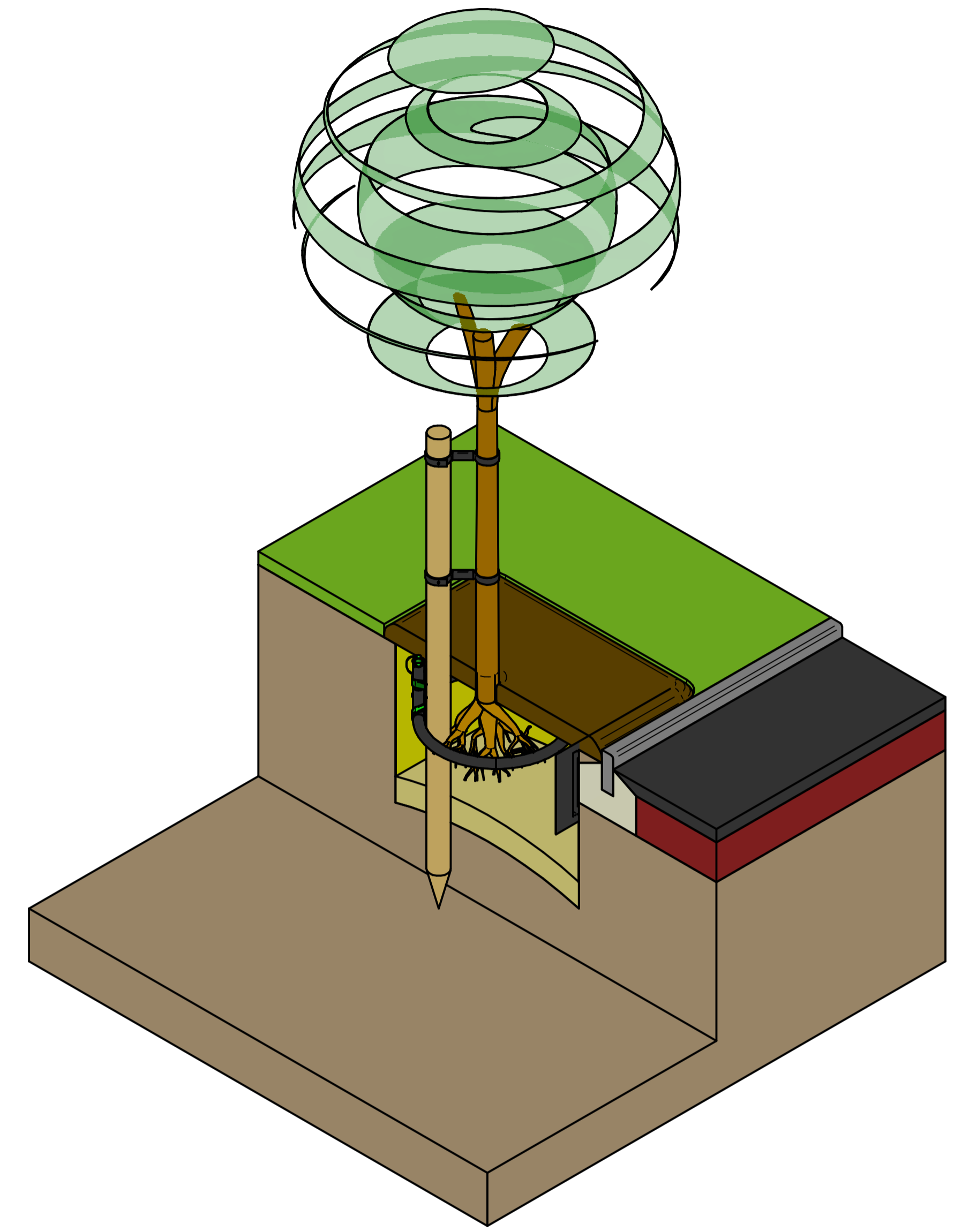
REVISION HISTORY			
REV	DESCRIPTION	DATE	APPROVED



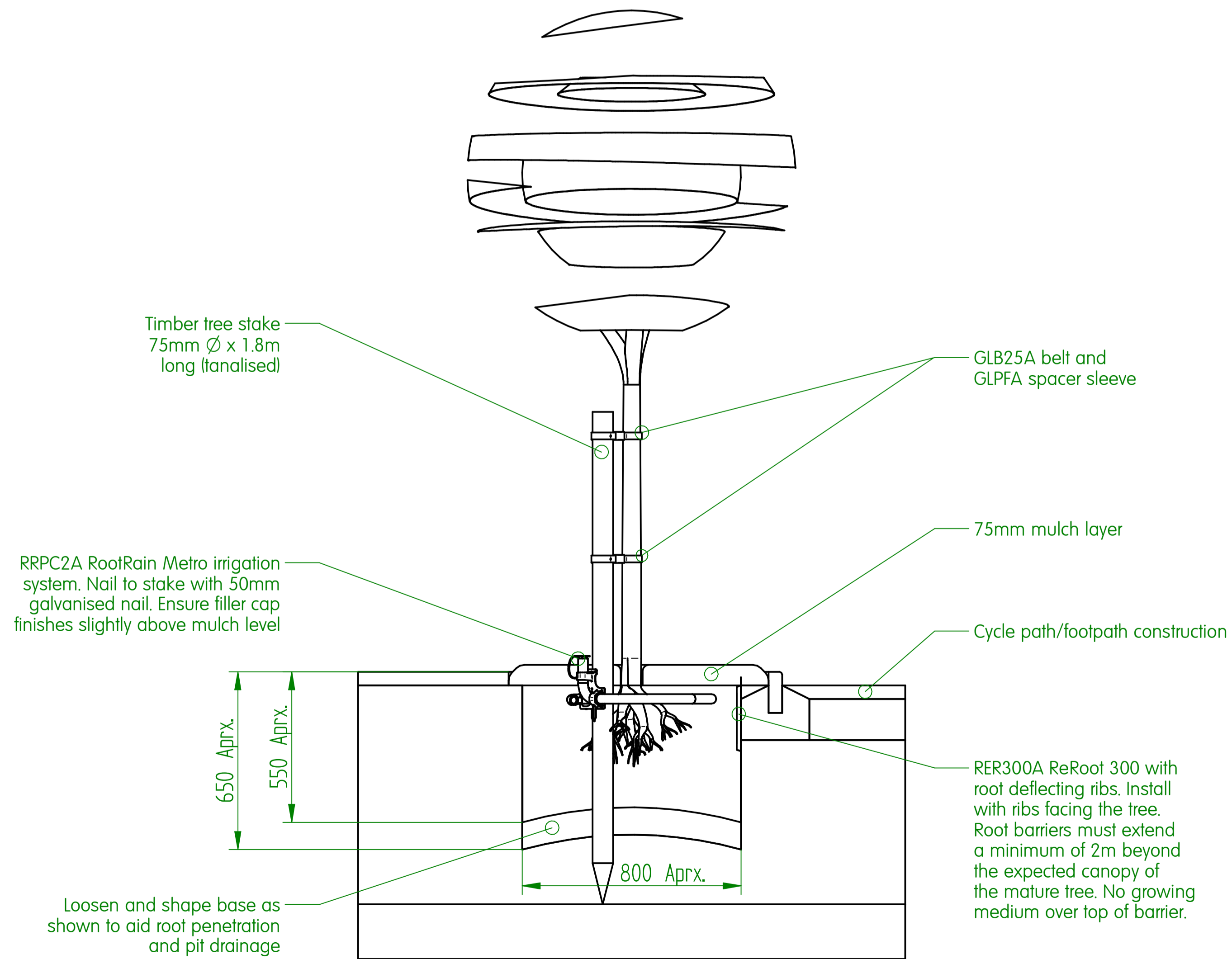
PLAN VIEW WITH CANOPY HIDDEN
1:12.5

Package includes:

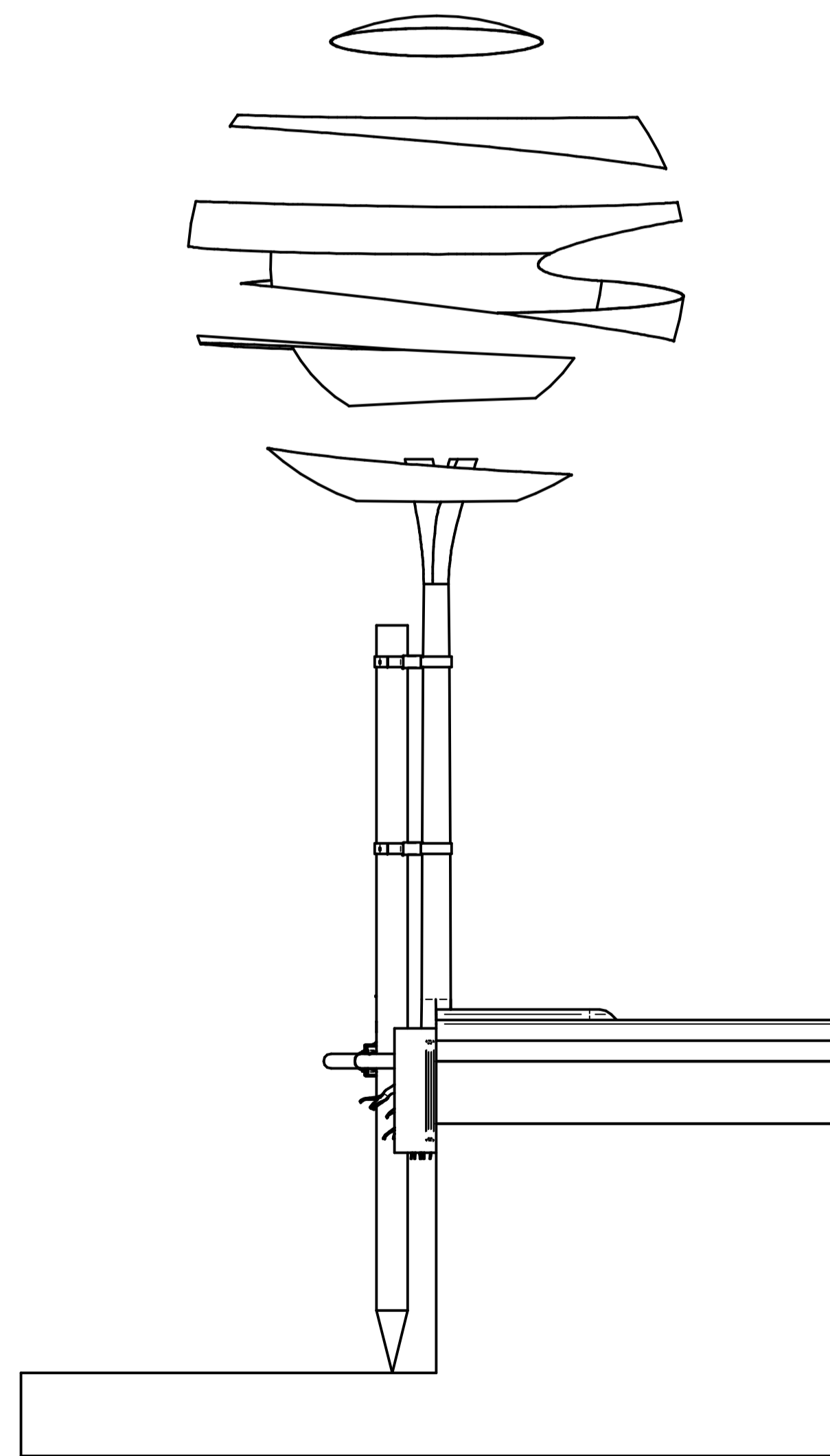
- RRPC2A RootRain Metro aeration/irrigation system
- RER300A ReRoot 300 ribbed root barrier
- GLB25A belt
- GLPFA spacer sleeve



ISOMETRIC VIEW WITH CUT-AWAY TO SHOW PRODUCTS
1:12.5



FRONT VIEW
1:12.5



SIDE VIEW
1:12.5

NAME	DATE	Greenleaf Urban tree and landscape products	
DRAWN: Adrian White	20/02/2011	3 Heyward Way, Ivyhouse Industrial Estate, Hastings, East Sussex TN35 4PL Tel: +44 (0)1424 717 797 Fax: +44 (0)1424 205 240 E-mail: enquiries@treedintowns.com Website: www.treedintowns.com	
CHECKED		TITLE: TREE PRODUCT PACKAGES	
ENG APPR		GR1002 Tree pit system installation	
MGR APPR		SIZE: A1	REV: F
UNLESS OTHERWISE SPECIFIED DIMENSIONS ARE IN MILLIMETERS ANGLES °XX' 2 PL ±XXX 3 PL ±XXXX		DWG NO: GRE-100529-DFT-003	FILENAME: GR1002.dft
SCALE:	WEIGHT:	SHEET 1 OF 1	