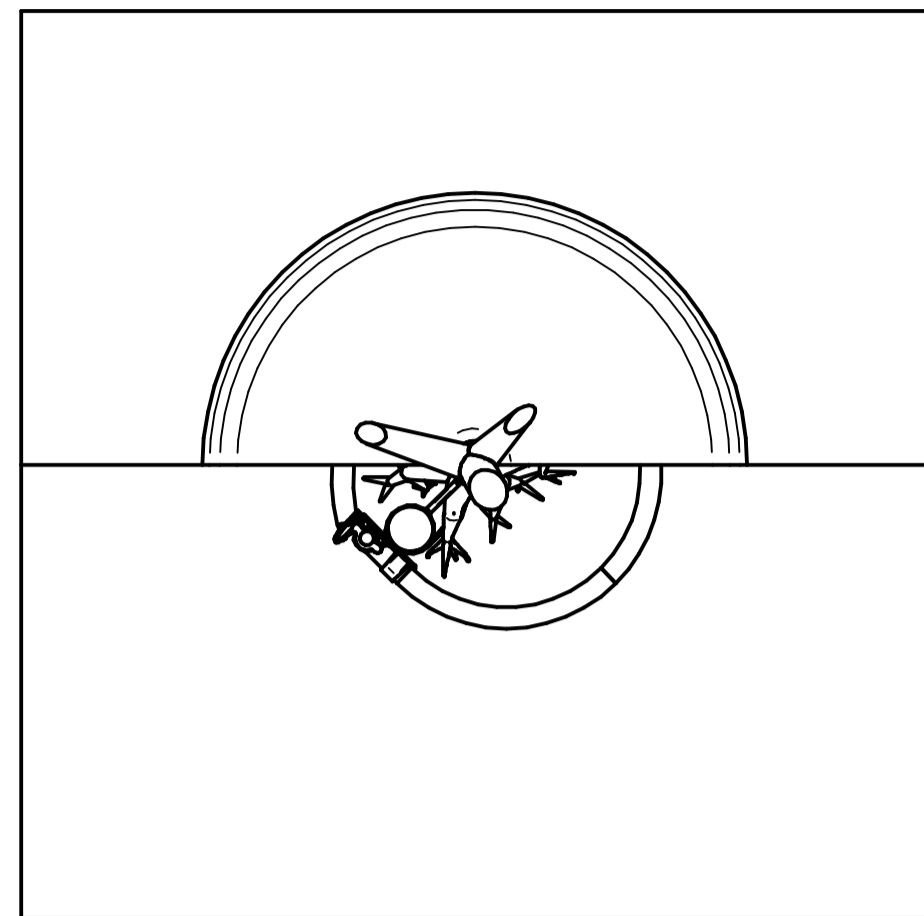
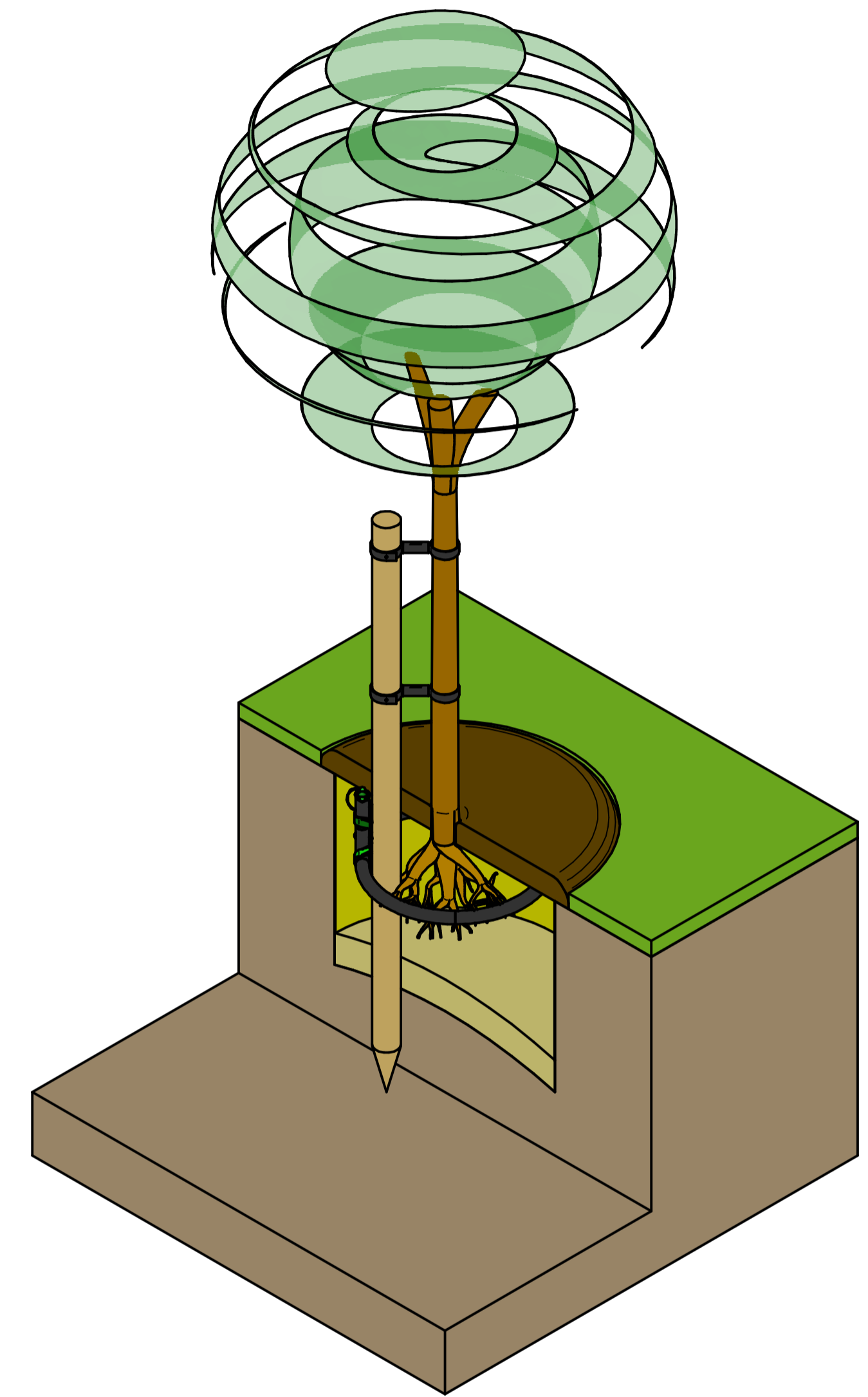


REVISION HISTORY			
REV	DESCRIPTION	DATE	APPROVED

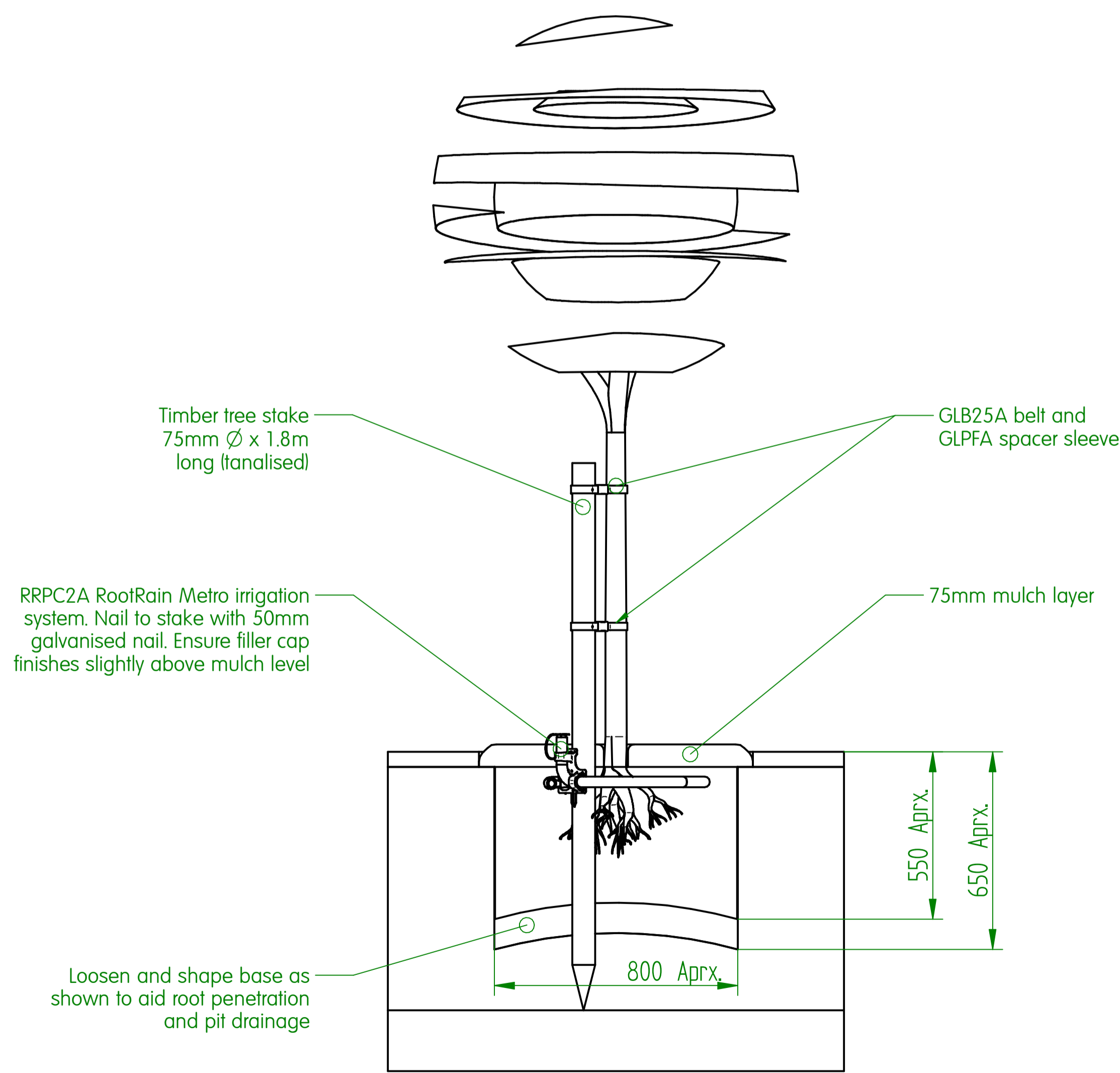


PLAN VIEW WITH CANOPY HIDDEN  
1:12.5

**Package includes:**  
 RRPC2A RootRain Metro aeration/irrigation system  
 GLB25A belt  
 GLPFA spacer sleeve



ISOMETRIC VIEW WITH CUT-AWAY TO SHOW PRODUCTS  
1:12.5



FRONT VIEW  
1:12.5

SIDE VIEW  
1:12.5

NAME		DATE	<b>Greenleaf</b> Urban tree and landscape products 3 Heyward Way, Ivyhouse Industrial Estate, Hastings, East Sussex TN35 4PL Tel: +44 (0)1424 717 797 Fax: +44 (0)1424 205 240 E-mail: enquiries@treeintowns.com Website: www.treeintowns.com	
DRAWN		Adrian White		19/02/2011
CHECKED				
ENG APPR				
MGR APPR				
UNLESS OTHERWISE SPECIFIED DIMENSIONS ARE IN MILLIMETERS ANGLES °XX' 2 PL ±XXX 3 PL ±XXXX			TITLE <b>TREE PRODUCT PACKAGES</b> <b>GR1001 Tree pit system installation</b>	
SIZE	DWG NO	REV		
A1	GRE-100529-DFT-001	D		
FILENAME:	GR1001.dft	SCALE:	WEIGHT:	
			SHEET 1 OF 1	